

General Terms and Conditions

MINIMUM ORDER CHARGE PER ITEM \$200.00

PRICES

All prices are subject to change without notice and orders will be billed at prices in effect at the time of shipment.

TRANSPORTATION TERMS

F.O.B. shipping point - Collect. (If premium transportation is requested, the purchaser must bear the burden of expense).

TAXES

CMC® prices do not include any taxes, import, or export duties, tariffs, or customs charges. CMC® reserves the right to add to the sales price any applicable sales tax, tariff, duties or customs charges imposed by law on the sale of our products.

PAYMENT TERMS

Net 30 days. No cash discounts.

CLAIMS AND ERRORS

Claims for shortages, erroneous charges, or price corrections must be presented within 30 days of date of invoice or they will not be allowed. Carriers are responsible for goods lost or damaged in transit.

CANCELLATIONS

Orders placed cannot be cancelled or deliveries extended, without the written consent of CMC®, and upon terms, which will indemnify CMC® against all losses. On orders for special items, CMC® reserves the right to invoice cancellation charges for material used and work performed.

RETURNED GOODS

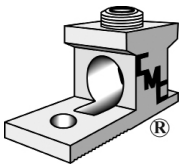
All CMC® connectors are subject to rigid inspection before shipment. Imperfect material, which might occasionally occur in a product run, will be replaced. However, before authorization for return is given, samples of the material must be submitted to CMC for evaluation. Written authorization must be received from CMC® before any material can be returned.

PRODUCT RESPONSIBILITY

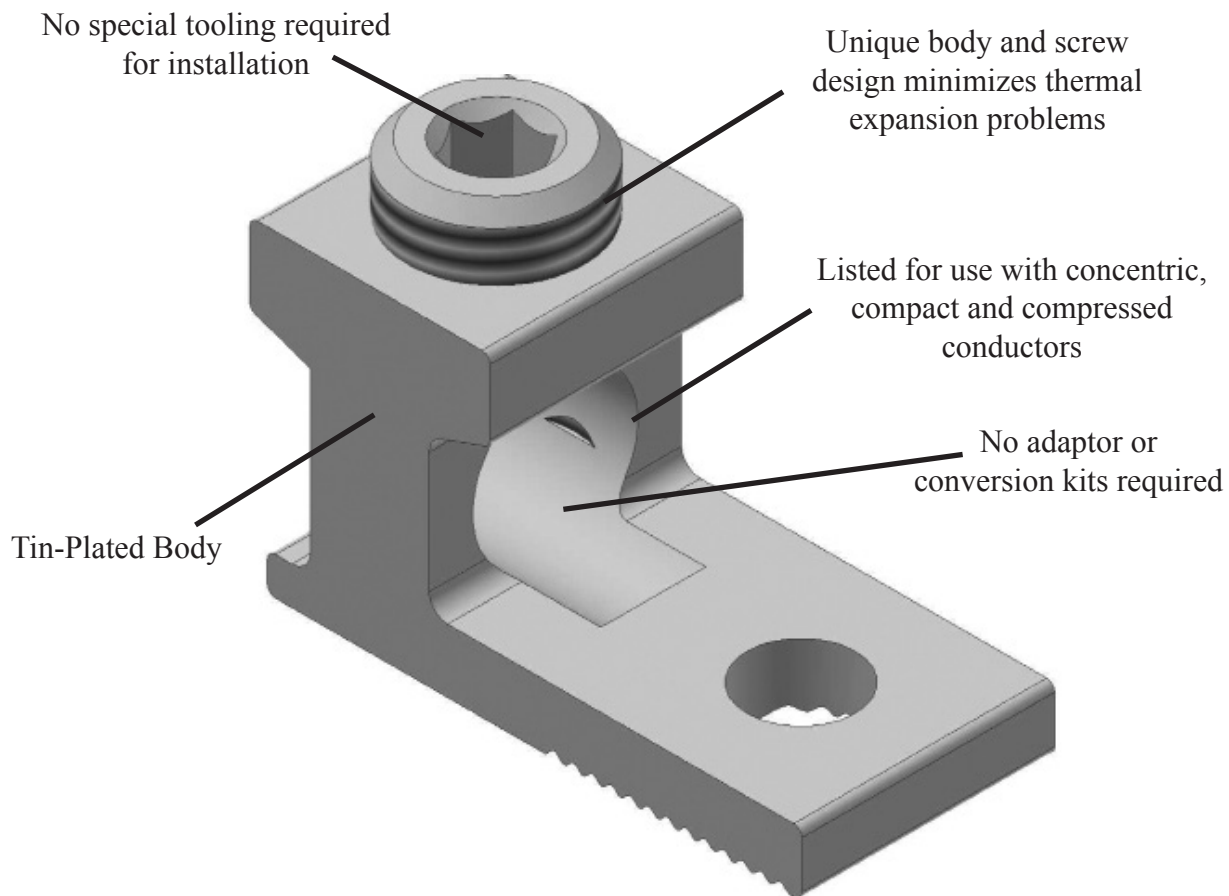
As it is impossible to detect all imperfections and control field applications, CMC® guarantees to replace only such goods as proven to be defective. Under no circumstances will CMC® be responsible for any damages beyond the price of the goods. CMC® shall not be liable for losses arising from strikes, fires, floods, riots, acts of God, government action, or procurement.

GOVERNING LAW

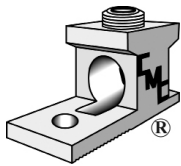
This contract shall be governed by and construed in accordance with the laws of the State of Ohio. CMC® products are manufactured under the best quality control standards utilized by our industry. Generally, products are subjected to tests recognized by the National Electrical Manufacturers Association (NEMA), American National Standards Institute (ANSI), Underwriters Laboratories (U/L), Canadian Standards Association (CSA), and/or other governing bodies as applicable under the specific circumstances.



ANNOUNCING THE FIRST PATENTED NEW, IMPROVED LUG DESIGN IN 25 YEARS



New generation of UL-486B Listed CSA Certified 90° C Rated Connectors



PosiGrip

Aluminum Dual Rated Mechanical Connectors

A new generation in mechanical connector performance.

Cool running over 500 heat cycles. Versatile, simple to use and low cost.



Introduction

CMC® introduces PosiGrip® aluminum dual-rated mechanical connectors. The PosiGrip line is designed to meet the rigorous requirements of 486B and CSA 1165A specifications covering connectors for use with aluminum and copper conductors. The PosiGrip line is fully listed by Underwriters Laboratories, Inc. and Canadian Standards Association. In addition, these connectors are EU RoHS compliant.

Low Resistance Design

Low initial contact resistance is the key to long life for any electrical connection and is the major element in meeting the demanding performance requirements of UL 486B. Connector Manufacturing Company's engineers have incorporated special new design concepts into the PosiGrip line. Uniquely designed I-Beam bodies and conductor hole configuration along with specially designed and treated screws; minimize high resistance connector failures due to thermal expansion, creep, and insufficient clamping force. The superior gripping action of the I-Beam design allows the set screw to separate conductor strands and break down inner stand oxidation even on compressed and compact aluminum conductors. Therefore, superior performance and long connector life are assured regardless of the type of conductor being used.

Versatility

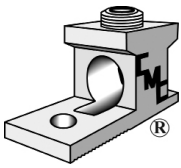
Each PosiGrip connector will accommodate a wide range of aluminum or copper conductor sizes of concentric, compressed or compact configurations. Only eleven connector sizes cover the range from #14 thru 1000 kcmil. In addition, they are UL listed and CSA certified for use with conductors having thermal insulation ratings of 90 degrees C or less. This means greater flexibility in the type of conductor being used, less inventory to carry and fewer call backs because the installer doesn't have the right part. Easy to install; all you need is a screwdriver or an allen wrench.

Quality Assurance

To identify UL 486B connectors, UL requires such connectors to be marked CU9AL when listed for use with 90 degrees C rated conductors. To be sure that the connector you buy meets all UL requirements, CMC® inspects each lot of PosiGrip connectors for integrity of physical dimensions, aluminum properties, set screw and conductor hole alignment, plating, along with screw and body thread class. Only connector lots meeting industry accepted quality levels are approved for shipment.

PosiGrip Lug Features

1. The unique ridges formed on the bottom of the contact surface are designed to provide positive contact points for an electrically secure joint of the lowest resistance for current flow. Just as a tripod provides tilt free contact on a smooth surface, this connector is designed to cause specific contact points where current can flow without "hot spots" created when two flat surfaces are joined together.
2. The screws used to clamp the conductor are designed to extend beyond the barrel sides of the connector to allow a better, more secure compression of the conductor. This design spreads conductor strands to help dissipate heat. In addition, this causes the maximum conductor to spread slightly more than the wire way opening which when installed improves its pull out safety features and capabilities.
3. The design of the wire way opening allows the conductor to enter the lug at the lowest point possible near the tang of the lug to provide optimum transfer of current creating a straight line flow through the connector for the least possible path of electrical resistance. A positive wire stop is provided with a step in the connector tang.



CMC® Aluminum Connectors

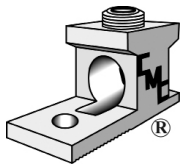
CMC® is proud to supply the industry with a line of electrical connectors fabricated from the very best aluminum alloy, 6061-T6. This choice was predicated upon many design factors to achieve the best balance between strength and conductivity. Both factors are of extreme importance in connector design calculations. The aluminum extrusions have almost a two-to-one advantage in yield strength to that of a sand cast alloy 356 or die cast alloy AXS679, permitting an extra margin of safety while the conductivity is a most favorable 43% IACS.

The set and socket screw mechanical connectors are designed to utilize the advantages of the 6061-T6 alloy temper for high yield strength while providing a connector of low stress. Screw pressure is designed to break through aluminum conductor oxide by cold flow process that insures a low resistance connection. Sufficient pressure is maintained on the conductor to prevent the reforming of the aluminum oxide. The pressure, combined with the high conductivity factor, will result in a connector operating temperature below that of the conductor.

We therefore, offer these advantages in connector design:

1. Compact design
2. High strength aluminum
3. Relative light weight construction
4. Economy
5. Tested products in accordance with the Underwriters Laboratories and the Canadian Standards Association requirements for listing.

These factors together with our dedication for the highest quality standards available and an unsurpassed service level, provide our customers with maximum reliability.



Single Hole Solderless Lugs



PosiGrip

90° C Rating (486B Listed)

TYPE: AB / A1B2

- The unique ridges formed on the bottom of the contact surface are designed to provide contact points for an electrically secure joint of the lowest resistance for current flow.
- The screws used to clamp the conductors are designed to extend beyond the barrel sides of the conductor to allow a better, more secure compression of the conductor. This design spreads the conductor strands to help dissipate heat, and improve its pull-out safety features and capabilities.
- The design of the wire way provides optimum transfer of current, creating a straight line flow through the connector for the least possible path of electrical resistance. A positive wire stop is also provided.

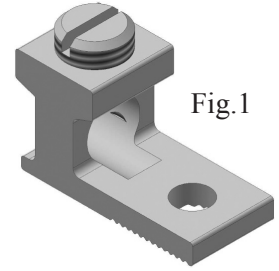


Fig.1

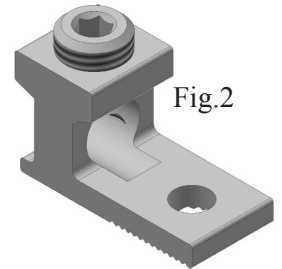


Fig.2

DUAL-RATED SOLDERLESS CONNECTORS
For use with both aluminum and copper conductors

PATENTED

Catalog No	Fig	Screw	Cond. Range	H	W	L	G	D*	T			
				Dimensions - inches						Dimensions - millimeters		
AB-50-S	1	SLOT	6-14	.49	.5	1.06	.31	.27	.09			
			16-1.5	12.45	12.70	26.92	7.87	6.68	2.29			
AB-70-S	1	SLOT	2-14	.55	.50	1.16	.31	.27	.10			
			25-1.5	13.97	12.70	29.46	7.87	6.86	2.54			
AB-112S	1	SLOT or HEX	1/0-14	.78	.63	1.31	.31	.27	.16			
			50-1.5	19.81	16.00	33.27	7.87	6.86	4.06			
AB-125S	1	SLOT or HEX	2/0-14	.78	.63	1.47	.38	.27	.19			
			50-1.5	19.81	16.00	37.34	9.65	6.86	4.83			
AB-250S	2	.31H	250-6	1.09	.88	2.00	.44	.33	.22			
			7.87	120-16	27.69	22.35	50.80	11.18	8.38	5.59		
AB-300S	2	.31H	300-6	1.12	1.00	2.00	.50	.41	.25			
			7.87	150-16	28.45	25.40	50.8	12.70	10.41	6.35		
AB-350S	2	.31H	350-6	1.18	1.00	2.25	.56	.33	.25			
			7.87	185-16	29.97	25.40	57.15	14.22	8.38	6.35		
AB-500S	2	.38H	500-4	1.44	1.25	2.62	.63	.41	.31			
			9.65	240-16	36.58	31.75	66.55	16.00	10.41	7.87		
AB-600S	2	.38H	600-2	1.56	1.43	3.18	.88	.41	.38			
			9.65	300-25	39.62	36.32	80.77	22.35	10.41	9.65		
AB-750S	2	.38H	750-1/0	1.80	1.44	3.25	.88	.66	.44			
			9.65	300-50	45.72	36.58	82.55	22.35	16.76	11.18		
AB-1000S	2	.50H	1000-500	1.94	1.62	3.50	.88	.56	.44			
			12.70	500-240	49.28	41.15	88.90	22.35	14.22	11.18		

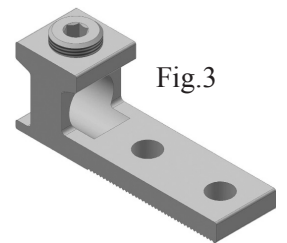
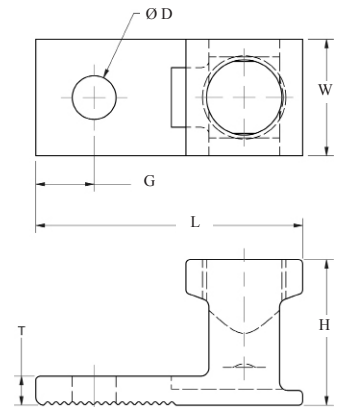
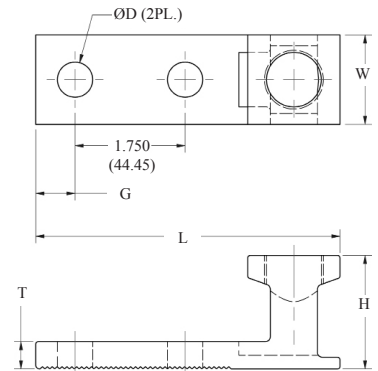
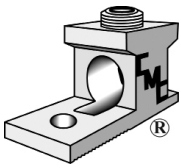


Fig.3



A1B2-350	3	.31H	350-6	1.18	1.00	4.25	.63	.56	.25
			7.87	185-16	29.97	25.4	107.95	16.00	14.22
A1B2-500	3	.38H	500-4	1.43	1.25	4.37	.63	.56	.31
			9.65	240-16	36.32	31.75	111.00	16.00	14.22
A1B2-600	3	.38H	600-2	1.56	1.25	4.59	.63	.56	.38
			9.65	300-25	39.62	31.75	116.59	16.00	14.22
A1B2-750	3	.38H	750-1/0	1.81	1.43	4.84	.63	.56	.44
			9.65	300-50	45.97	36.32	122.94	16.00	14.22
A1B2-1000	3	.50H	1000-500	1.94	1.62	4.94	.63	.56	.44
			12.70	500-240	49.28	41.15	125.48	16.00	14.22



Single Hole Solderless Lugs



PosiGrip

90° C Rating (486B Listed)

TYPE: ABSG/A1B2-2

- The unique ridges formed on the bottom of the contact surface are designed to provide contact points for an electrically secure joint of the lowest resistance for current flow.
- The screws used to clamp the conductors are designed to extend beyond the barrel sides of the conductor to allow a better, more secure compression of the conductor. This design spreads the conductor strands to help dissipate heat, and improve its pull-out safety features and capabilities.
- The design of the wire way provides optimum transfer of current, creating a straight line flow through the connector for the least possible path of electrical resistance. A positive wire stop is also provided.

PATENTED

Catalog No	Fig	Screw Type mm	Cond. Range AWG mm ²	H	W	L	G	D*	T		
				Dimensions - inches							
				Dimensions - millimeters							
ABSG-350	1	.31H	350-4	1.18	1.25	4.68	.72	.56	.25		
				7.87	31.75	118.87	18.29	14.22	6.35		
ABSG-500	1	.38H	500-4	1.44	1.25	4.68	.72	.56	.31		
				9.65	31.75	118.87	18.29	14.22	7.87		
ABSG-750	1	.38H	750-300	1.94	1.62	6.18	.72	.56	.44		
				9.65	41.15	156.97	18.29	14.22	11.18		
ABSG-1000	1	.50H	1000-350	1.94	1.62	6.18	.72	.56	.44		
				12.70	41.15	156.97	18.29	14.22	11.18		
A1B2-350-2	2	.31H	350-6	1.18	1.12	5.38	.63	.56	.25		
				7.87	28.45	136.65	16.00	14.22	6.35		
A1B2-500-2	2	.38H	500-4	1.43	1.25	5.50	.63	.56	.31		
				9.65	31.75	139.70	16.00	14.22	7.87		
A1B2-600-2	2	.38H	600-2	1.56	1.50	5.62	.63	.56	.38		
				9.65	38.10	142.75	16.00	14.22	9.65		
A1B2-750-2	2	.38H	750-1/0	1.94	1.50	6.18	.63	.56	.44		
				9.65	38.10	156.97	16.00	14.22	11.18		
A1B2-1000-2	2	.50H	1000-500	1.94	1.62	6.18	.63	.56	.44		
				12.70	41.15	156.97	16.00	14.22	11.18		

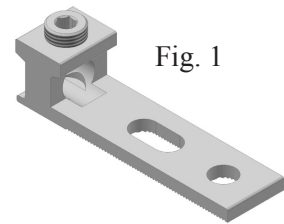


Fig. 1

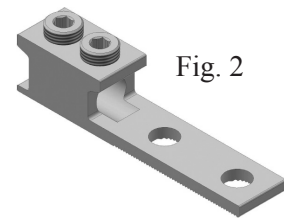


Fig. 2

*This dimension can be altered per customer requirements.

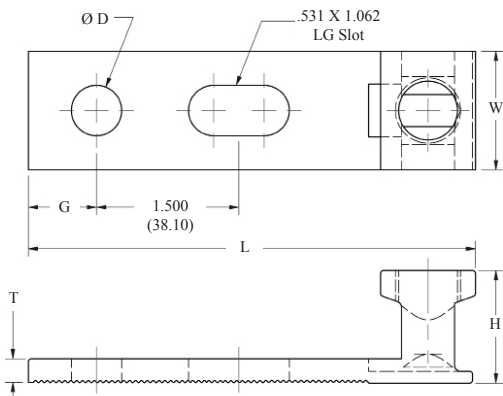


Fig. 1

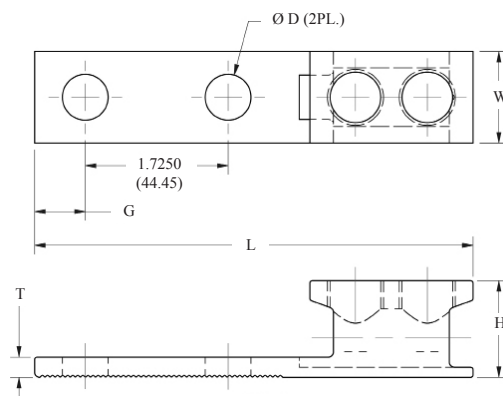
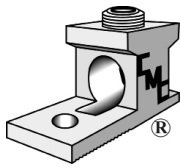


Fig. 1



Two Conductor Solderless Lugs



PosiGrip

90° C Rating (486B Listed)

TYPE: 2AB/2AB2

- The unique ridges formed on the bottom of the contact surface are designed to provide contact points for an electrically secure joint of the lowest resistance for current flow.
- The screws used to clamp the conductors are designed to extend beyond the barrel sides of the conductor to allow a better, more secure compression of the conductor. This design spreads the conductor strands to help dissipate heat, and improve its pull-out safety features and capabilities.
- The design of the wire way provides optimum transfer of current, creating a straight line flow through the connector for the least possible path of electrical resistance. A positive wire stop is also provided.

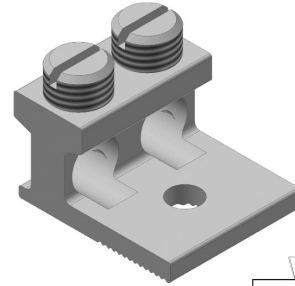
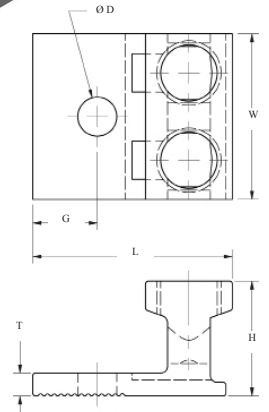


Fig 1



DUAL-RATED SOLDERLESS CONNECTORS
For use with both aluminum and copper conductors

PATENTED

Catalog No	Fig	Screw Type mm	Cond. Range AWG mm ²	H	W	L	G	D*	T			
				Dimensions - inches						Dimensions - millimeters		
2AB-112	1	Slot or Hex	1/0-14	.78	1.12	1.31	.44	.27	.16			
			50-1.5	19.81	28.45	33.27	11.18	6.86	4.06			
2AB-125	1	Slot or Hex	2/0-14	.78	1.25	1.47	.43	.27	.19			
			50-1.5	19.81	31.75	37.34	10.92	6.86	4.83			
2AB-250	2	.31H	250-6	1.09	1.62	2.56	.53	.44	.22			
			7.87	120-16	27.69	41.15	65.02	13.46	11.18	5.59		
2AB-350	2	.31H	350-6	1.18	1.92	2.87	.63	.41	.25			
			7.87	185-16	29.97	48.77	72.90	16.00	10.41	6.35		
2AB-500	2	.38H	500-4	1.44	2.40	2.62	.63	.56	.31			
			9.65	240-16	36.58	60.96	66.55	16.00	14.22	7.87		
2AB-600	2	.38H	600-2	1.56	2.40	3.18	.63	.56	.38			
			9.65	300-25	39.62	60.96	80.77	16.00	14.22	9.65		
2AB-750	2	.38H	750-1/0	1.81	3.50	3.25	.88	.56	.44			
			9.65	300-50	45.97	88.90	82.55	22.35	14.22	11.18		
2AB-1000	2	.50H	1000-500	1.94	3.50	3.50	.88	.56	.44			
			12.70	500-240	49.28	88.90	88.90	22.35	14.22	11.18		
2AB2-350	3	.31H	350-6	1.18	1.92	4.25	.63	.56	.25			
			7.87	185-16	29.97	48.77	107.95	16.00	14.22	6.35		

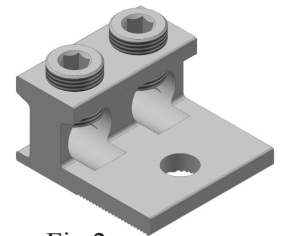


Fig 2

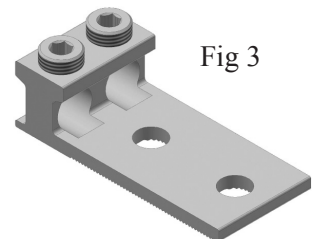
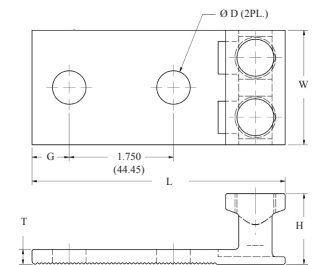
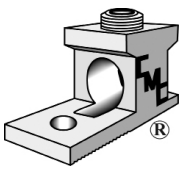


Fig 3

*This dimension can be altered per customer requirements.



Two Conductor Solderless Lugs

PosiGrip

90° C Rating (486B Listed)



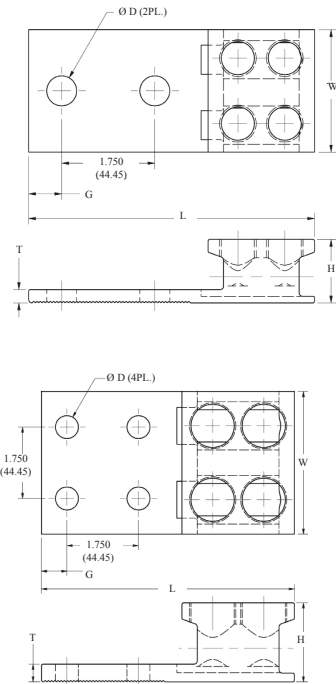
TYPE: A2B2/A2B4

- The unique ridges formed on the bottom of the contact surface are designed to provide contact points for an electrically secure joint of the lowest resistance for current flow.
- The screws used to clamp the conductors are designed to extend beyond the barrel sides of the conductor to allow a better, more secure compression of the conductor. This design spreads the conductor strands to help dissipate heat, and improve its pull-out safety features and capabilities.
- The design of the wire way provides optimum transfer of current, creating a straight line flow through the connector for the least possible path of electrical resistance. A positive wire stop is also provided.

DUAL-RATED SOLDERLESS CONNECTORS For use with both aluminum and copper conductors

PATENTED

Catalog No	Fig	Screw Type mm	Cond. Range AWG mm ²	H	W	L	G	D*	T
				Dimensions - inches					
				Dimensions - millimeters					
A2B2-350	1	.31H	350-6	1.18	2.90	5.37	.63	.56	.25
		7.87	185-16	29.97	73.66	136.40	16.00	14.22	6.35
A2B2-500	1	.38H	500-4	1.56	2.40	5.62	.63	.56	.38
		9.65	240-16	39.62	60.96	142.75	16.00	14.22	9.65
A2B2-600	1	.38H	600-2	1.56	2.74	5.62	.63	.56	.38
		9.65	300-25	39.62	69.60	142.75	16.00	14.22	9.65
A2B2-750	1	.38H	750-300	1.94	3.50	6.18	.63	.56	.44
		9.65	300-150	49.28	88.90	156.97	16.00	14.22	11.18
A2B2-1000	1	.50H	1000-500	1.94	3.50	6.18	.63	.56	.44
		12.70	500-240	49.28	88.90	156.97	16.00	14.22	11.18
A2B4-750	2	.38H	750-300	1.94	3.50	6.18	.63	.56	.44
		9.65	300-150	49.28	88.90	156.97	16.00	14.22	11.18



*This dimension can be altered per customer requirements.

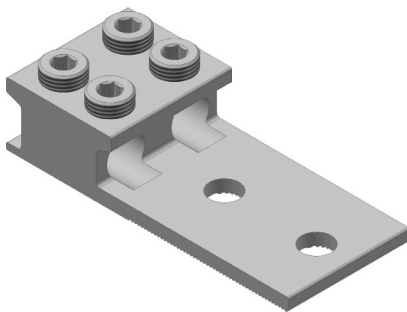


Fig 1

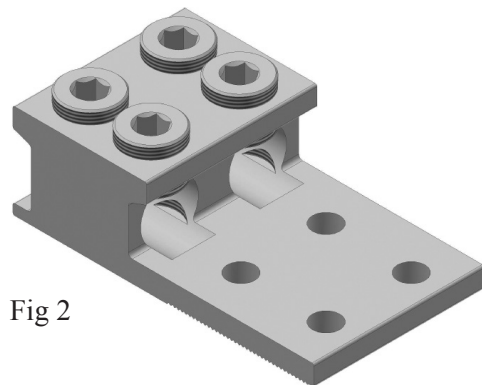
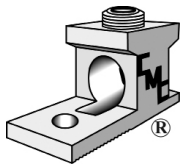


Fig 2



Two Conductor Solderless Lugs

PosiGrip

90° C Rating (486B Listed)



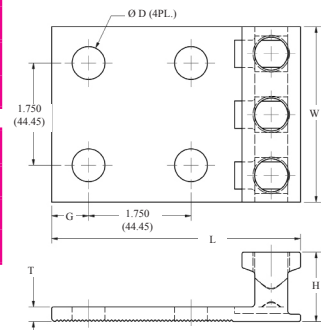
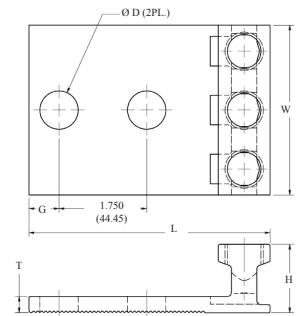
TYPE: 3AB2 / 3AB4

- The unique ridges formed on the bottom of the contact surface are designed to provide contact points for an electrically secure joint of the lowest resistance for current flow.
- The screws used to clamp the conductors are designed to extend beyond the barrel sides of the conductor to allow a better, more secure compression of the conductor. This design spreads the conductor strands to help dissipate heat, and improve its pull-out safety features and capabilities.
- The design of the wire way provides optimum transfer of current, creating a straight line flow through the connector for the least possible path of electrical resistance. A positive wire stop is also provided.

DUAL-RATED SOLDERLESS CONNECTORS
For use with both aluminum and copper conductors

PATENTED

Catalog No	Fig	Screw Type <i>mm</i>	Cond. Range AWG <i>mm²</i>	H	W	L	G	D*	T			
				Dimensions - inches						Dimensions - millimeters		
3AB2-112	1	Slot or Hex	1/0-14	.78	1.72	2.75	.34	.44	.19			
			50-1.5	19.81	43.69	69.85	8.64	11.18	4.83			
3AB2-125	1	Slot or Hex	2/0-14	.78	1.91	2.75	.64	.44	.19			
			50-1.5	19.81	48.51	69.85	8.64	11.18	4.83			
3AB2-250	2	.31H	250-6	1.18	2.46	4.25	.63	.56	.25			
		7.87	120-16	29.97	62.48	107.95	16.00	14.22	6.35			
3AB2-350	2	.31H	350-6	1.18	2.92	4.25	.63	.56	.25			
		7.87	185-16	29.97	74.17	107.95	16.00	14.22	6.35			
3AB2-500	2	.38H	500-4	1.56	3.66	4.59	.63	.56	.38			
		9.65	240-16	39.62	92.96	116.59	16.00	14.22	9.65			
3AB4-250	3	.31H	250-6	1.18	3.00	4.25	.63	.56	.25			
		7.87	120-16	29.97	76.20	107.95	16.00	14.22	6.35			
3AB4-350	3	.31H	350-6	1.18	3.00	4.25	.63	.56	.25			
		7.87	185-16	29.97	76.20	107.95	16.00	14.22	6.35			



*This dimension can be altered per customer requirements.

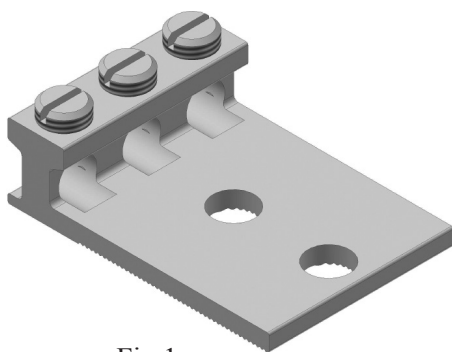


Fig 1

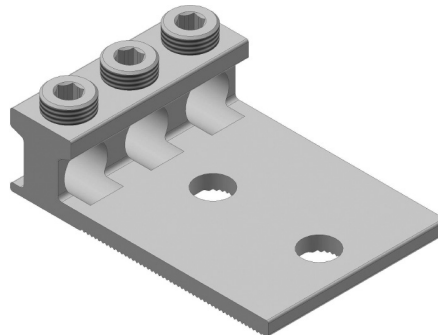


Fig 2

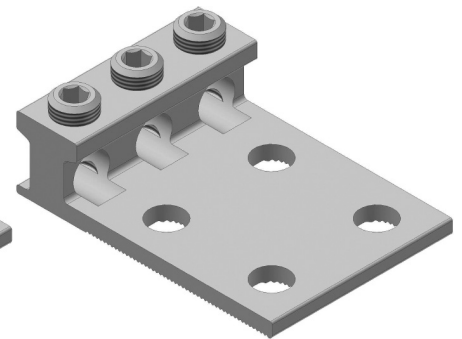
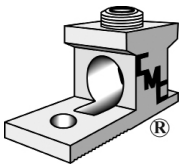


Fig 3



Three Conductor Solderless Lugs



PosiGrip

90° C Rating (486B Listed)

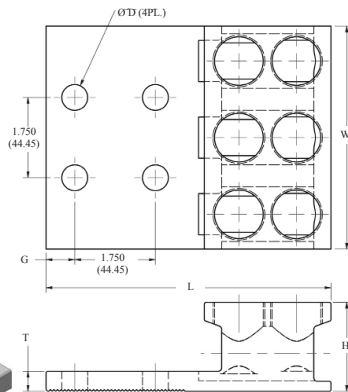
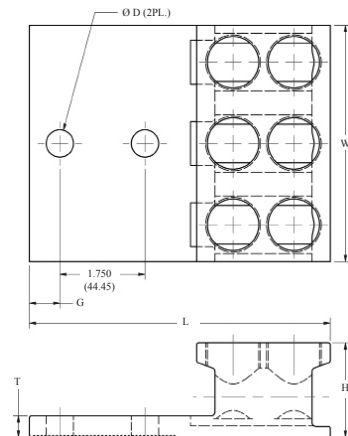
TYPE: A3B2 / A3B4

- The unique ridges formed on the bottom of the contact surface are designed to provide contact points for an electrically secure joint of the lowest resistance for current flow.
- The screws used to clamp the conductors are designed to extend beyond the barrel sides of the conductor to allow a better, more secure compression of the conductor. This design spreads the conductor strands to help dissipate heat, and improve its pull-out safety features and capabilities.
- The design of the wire way provides optimum transfer of current, creating a straight line flow through the connector for the least possible path of electrical resistance. A positive wire stop is also provided.

DUAL-RATED SOLDERLESS CONNECTORS
For use with both aluminum and copper conductors

PATENTED

Catalog No	Fig	Screw Type <i>mm</i>	Cond. Range AWG <i>mm²</i>	H	W	L	G	D*	T
				Dimensions - inches					
				Dimensions - millimeters					
A3B2-600	1	.38H	600-2	1.56	4.18	5.62	.63	.56	.38
		9.65	300-25	39.62	106.17	142.75	16.00	14.22	9.65
A3B2-750	1	.38H	750-300	1.94	4.86	6.18	.63	.56	.44
		9.65	300-150	49.28	123.44	156.97	16.00	14.22	11.18
A3B2-1000	1	.50H	1000-500	1.94	4.86	6.18	.63	.56	.44
		12.70	500-240	49.28	123.44	156.97	16.00	14.22	11.18
A3B4-600	2	.38H	600-2	1.56	4.18	5.62	.63	.56	.38
		9.65	300-25	39.62	106.17	142.75	16.00	14.22	9.65
A3B4-750	2	.38H	750-300	1.94	4.86	6.18	.63	.56	.44
		9.65	300-150	49.28	123.44	156.97	16.00	14.22	11.18



*This dimension can be altered per customer requirements.

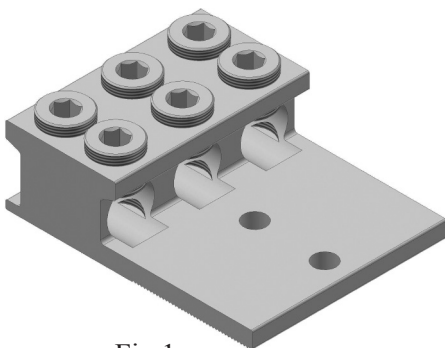


Fig 1

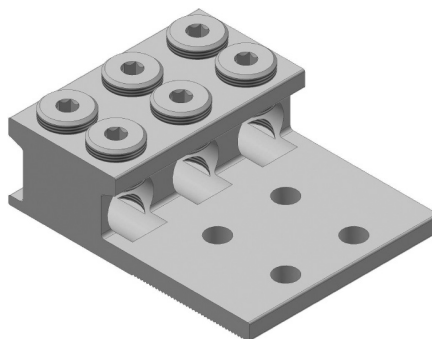
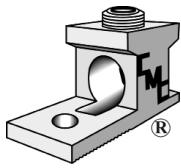


Fig 2



Four Conductor Solderless Lugs

PosiGrip

90° C Rating (486B Listed)



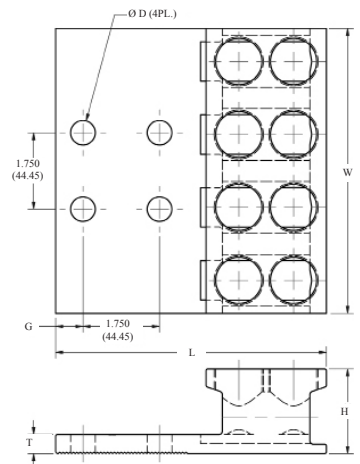
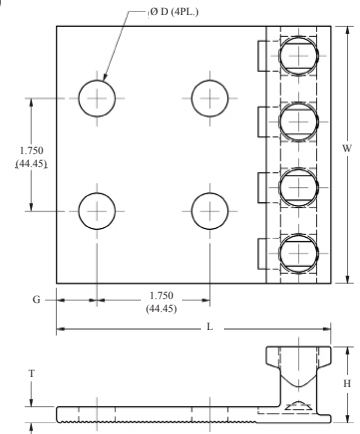
TYPE: 4AB4 / A4B4

- The unique ridges formed on the bottom of the contact surface are designed to provide contact points for an electrically secure joint of the lowest resistance for current flow.
- The screws used to clamp the conductors are designed to extend beyond the barrel sides of the conductor to allow a better, more secure compression of the conductor. This design spreads the conductor strands to help dissipate heat, and improve its pull-out safety features and capabilities.
- The design of the wire way provides optimum transfer of current, creating a straight line flow through the connector for the least possible path of electrical resistance. A positive wire stop is also provided.

DUAL-RATED SOLDERLESS CONNECTORS
For use with both aluminum and copper conductors

PATENTED

Catalog No	Fig	Screw Type mm	Cond. Range AWG mm ²	H	W	L	G	D*	T
				Dimensions - inches					
				Dimensions - millimeters					
4AB4-250	1	.31H	250-6	1.09	3.30	3.88	.63	.56	.22
		7.87	120-16	27.69	83.82	98.55	16.00	14.22	5.59
4AB4-350	1	.31H	350-6	1.19	3.92	4.25	.63	.56	.25
		7.87	185-16	30.23	99.57	107.95	16.00	14.22	6.35
4AB4-500	1	.38H	500-4	1.44	4.93	4.38	.63	.56	.31
		9.65	240-16	36.58	125.22	111.25	16.00	14.22	7.87
A4B4-600	2	.38H	600-2	1.56	5.63	5.62	.63	.56	.38
		9.65	300-25	39.62	143.00	142.75	16.00	14.22	9.65
A4B4-750	2	.38H	750-300	1.94	6.53	6.18	.63	.56	.44
		9.65	300-150	49.28	165.86	156.97	16.00	14.22	11.18



*This dimension can be altered per customer requirements.

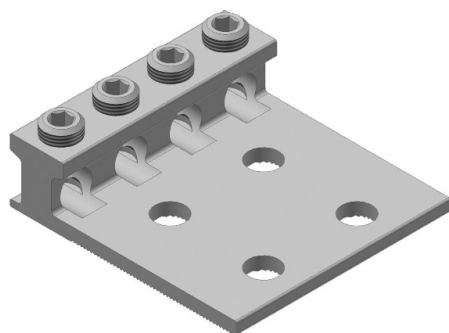


Fig 1

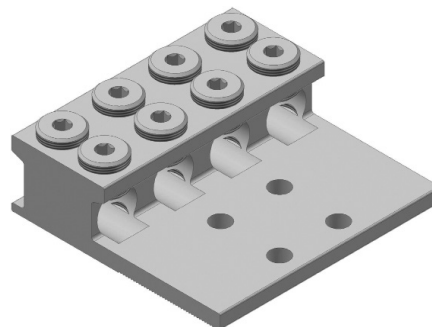
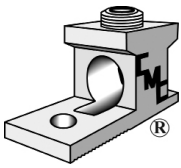


Fig 2



Panelboard Solderless Lugs



PosiGrip

90° C Rating (486B Listed)

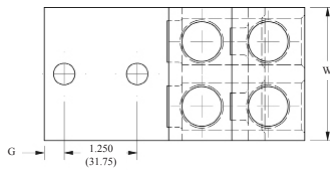
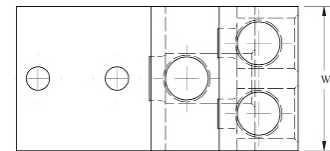
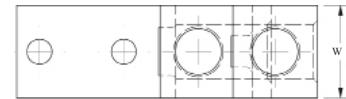
TYPE: ABV

- The unique ridges formed on the bottom of the contact surface are designed to provide contact points for an electrically secure joint of the lowest resistance for current flow.
- The screws used to clamp the conductors are designed to extend beyond the barrel sides of the conductor to allow a better, more secure compression of the conductor. This design spreads the conductor strands to help dissipate heat, and improve its pull-out safety features and capabilities.
- The design of the wire way provides optimum transfer of current, creating a straight line flow through the connector for the least possible path of electrical resistance. A positive wire stop is also provided.

DUAL-RATED SOLDERLESS CONNECTORS
For use with both aluminum and copper conductors

PATENTED

Catalog No	Fig	Screw	Cond. Range	H	W	L	G	D*	T			
				Dimensions - inches						Dimensions - millimeters		
2ABV-500	1	.38H	500-4	3.00	1.50	4.90	.38	.41	.50			
		9.65	240-16	76.20	38.10	124.46	9.65	10.41	12.70			
2ABV-600	1	.38H	600-2	3.00	1.50	4.90	.38	.41	.50			
		9.65	300-25	76.20	38.10	124.46	9.65	10.41	12.70			
2ABV-750	1	.38H	750-1/0	3.00	1.56	4.90	.38	.41	.50			
		9.65	300-50	76.20	39.62	124.46	9.65	10.41	12.70			
3ABV-500	2	.38H	500-4	3.00	2.50	4.90	.38	.41	.50			
		9.65	240-16	76.20	63.50	124.46	9.65	10.41	12.70			
3ABV-600	2	.38H	600-2	3.00	2.50	4.90	.38	.41	.50			
		9.65	300-25	76.20	63.50	124.46	9.65	10.41	12.70			
3ABV-750	2	.38H	750-1/0	3.00	2.84	4.90	.38	.41	.50			
		9.65	300-50	76.20	72.14	124.46	9.65	10.41	12.70			
4ABV-500	3	.38H	500-4	3.00	2.50	4.90	.38	.41	.50			
		9.65	240-16	76.20	63.50	124.46	9.65	10.41	12.70			
4ABV-600	3	.38H	600-2	3.00	2.50	4.90	.38	.41	.50			
		9.65	300-25	76.20	63.50	124.46	9.65	10.41	12.70			
4ABV-750	3	.38H	750-1/0	3.00	2.62	4.90	.38	.41	.50			
		9.65	300-50	76.20	66.55	124.46	9.65	10.41	12.70			



*This dimension can be altered per customer requirements.

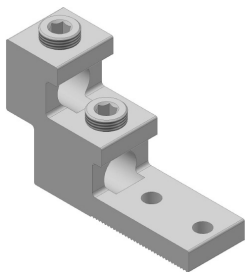


Fig 1

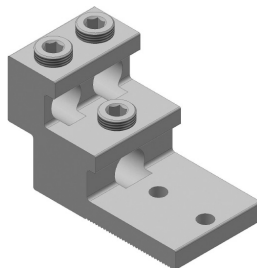


Fig 2

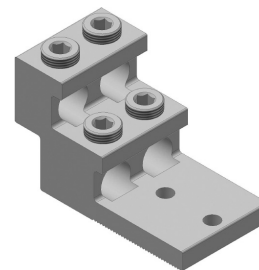
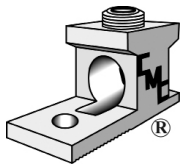


Fig 3



Single Hole Solderless Lugs



90° C Rating (486B Listed)

TYPE: LA

CMC® L-shaped single hole solderless connectors are manufactured from high strength 6061-T6 aluminum alloy to insure both maximum strength and conductivity. They are dual rated for both copper and aluminum conductors and are electro tin plated to provide low contact resistance and protection against corrosion. Assembly can be made with only a screwdriver or allen wrench and the connectors are reusable.

DUAL-RATED SOLDERLESS CONNECTORS For use with both aluminum and copper conductors

Catalog No	Fig. No.	Cond. Range AWG mm	Stud Size* mm	H	W	L
				Dimensions - inches		
				Dimensions - millimeters		
LA-6-1	1	6-14	0.23	0.50	0.38	1.06
		16-1.5	5.85	12.70	9.65	26.92
LA-6	1	6-14	0.25	0.50	0.50	1.06
		16-1.5	6.35	12.70	12.70	26.92
LA-6-2	1	4-14	0.25	0.50	0.50	1.06
		16-1.5	5.84	12.70	12.70	26.92
LA-2	1	2-14	0.25	0.55	0.50	1.16
		25-1.5	6.35	13.97	12.70	29.46
LA-1/0	1	1/0-14	0.38	0.78	0.63	1.47
		50-1.5	9.65	19.81	16.00	37.34
LA-2/0	1	2/0-14	0.25	0.78	0.63	1.47
		50-1.5	6.35	19.81	16.00	37.34
LA-250	2	250-6	0.31	1.13	1.00	2.00
		120-16	7.87	28.70	25.40	50.80
LA-300	2	300-6	0.31	1.13	1.00	2.00
		150-16	7.87	28.70	25.40	50.80
LA-350	2	350-6	0.38	1.25	1.13	2.25
		185-16	9.65	31.75	28.70	57.15
LA-500	2	500-4	0.38	1.56	1.50	2.82
		240-16	9.65	39.62	38.10	71.63
LA-600	2	600-2	0.38	1.56	1.50	3.19
		300-25	9.65	39.62	38.10	81.03
LA-800	2	800-300	0.63	1.94	1.75	3.50
		400-150	16.00	49.28	44.45	88.90
LA-1000	2	1000-350	0.63	1.94	1.75	3.50
		500-185	16.00	49.28	44.45	88.90
LA-630	3	600-4/(2) 2501/0	0.38	1.81	1.38	2.81
		300-16/(2) 120-50	9.65	45.97	35.05	71.37
LA-750	3	750-1/0 I/(2) 350-1/0	0.38	1.81	1.38	2.81
		300-50/(2) 120-50	9.65	45.97	35.05	71.37

*This dimension can be altered per customer requirements.

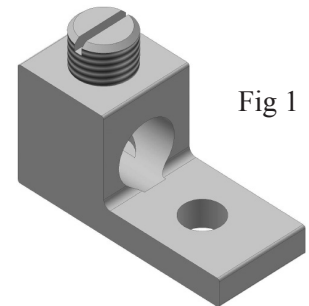


Fig 1

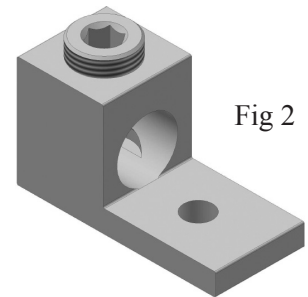


Fig 2

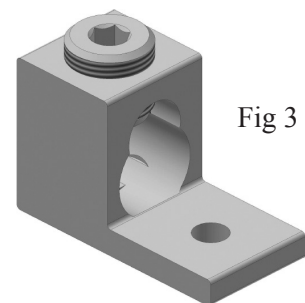
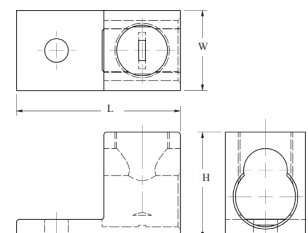
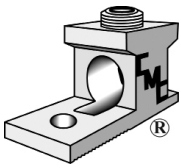


Fig 3





Single Hole Solderless Lugs



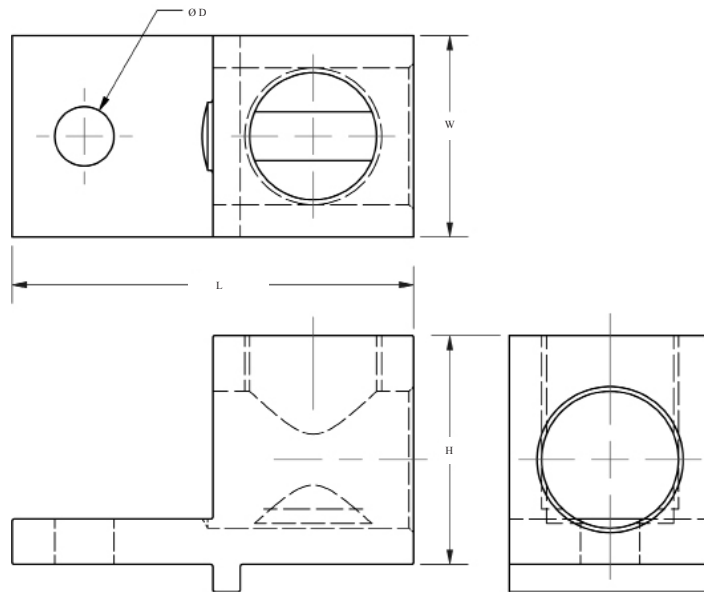
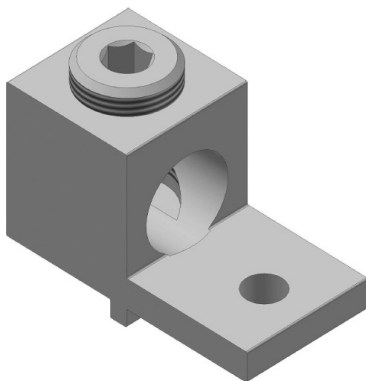
90° C Rating (486B Listed)

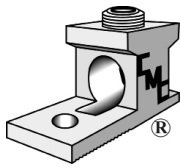
TYPE: LA - Anti-Turn Series

CMC® L-shaped single hole solderless connectors are manufactured from high strength 6061-T6 aluminum alloy to insure both maximum strength and conductivity. They are dual rated for both copper and aluminum conductors and are electro tin plated to provide low contact resistance and protection against corrosion. Assembly can be made with only a screwdriver or allen wrench and the connectors are reusable.

DUAL-RATED SOLDERLESS CONNECTORS For use with both aluminum and copper conductors

Catalog No	Cond. Range AWG mm	Stud Size mm	H	W	L	R
			Dimensions - inches			
			Dimensions - millimeters			
LA-2R	4-14	.25	.55	.50	1.16	.52
	16-1.5	6.35	13.97	12.70	29.46	13.21
LA-1/0R	1/0-14	.25	.81	.63	1.47	.50
	50-1.5	6.35	20.57	16.00	37.34	12.70
LA-2/0R	2/0-14	.25	.81	.63	1.47	.47
	50-1.5	6.35	20.57	16.00	37.34	11.94
LA-300R	300-6	.25	1.13	.94	1.56	.63
	150-16	6.35	28.70	23.88	39.62	16
LA-350R	350-6	.31	1.13	1.00	1.19	.50
	185-16	7.87	28.70	25.40	48.51	12.70
LA-625R	(1) 600-250 / (2) 250-2	.38	1.62	1.38	2.81	1.14
	(1) 300-120 / (2) 120-25	9.65	39.88	35.05	69.85	22.35
LA-600R	600-4	.38	1.57	1.38	2.75	.88
	300-16	9.65	39.88	35.05	69.85	22.35





Single Hole Solderless Lugs



90° C Rating (486B Listed)

TYPE: L1M2 / L1D2

CMC® L-shaped single hole solderless connectors are manufactured from high strength 6061-T6 aluminum alloy to insure both maximum strength and conductivity. They are dual rated for both copper and aluminum conductors and are electro tin plated to provide low contact resistance and protection against corrosion. Assembly can be made with only a screwdriver or allen wrench and the connectors are reusable.

DUAL-RATED SOLDERLESS CONNECTORS For use with both aluminum and copper conductors

Catalog Number	Fig. No.	Cond. Range AWG mm ²	Stud Size* mm	H	W	L
				Dimensions, inches		
				Dimensions, millimeters		
L1M2-350	1	350-6	.50(2)	1.25	4.25	1.38
		185-16	12.70(2)	31.75	107.95	35.05
L1M2-600	1	600-2	.50(2)	1.50	4.69	1.50
		300-25	12.70(2)	38.10	119.13	38.10
L1D2-600	2	600-2	.50(2)	1.50	5.31	1.50
		300-25	12.70(2)	38.10	134.87	38.10
L1D2-800	2	800-300	.50(2)	1.88	6.18	1.88
		400-150	12.70(2)	47.75	156.97	47.75
L1D2-1000	2	1000-500	.50(2)	1.88	6.18	1.88
		500-240	12.70(2)	47.75	156.97	47.75

*This dimension can be altered per customer requirements.

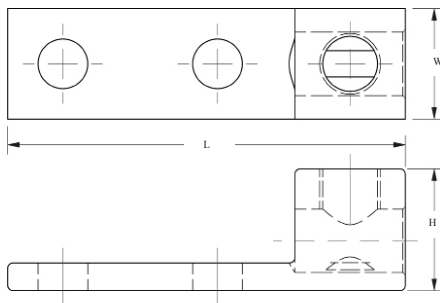


Fig. 1

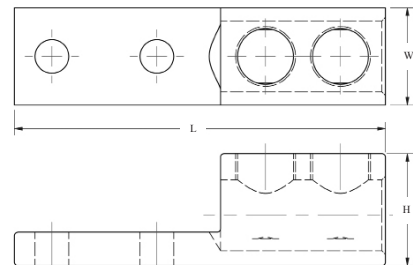
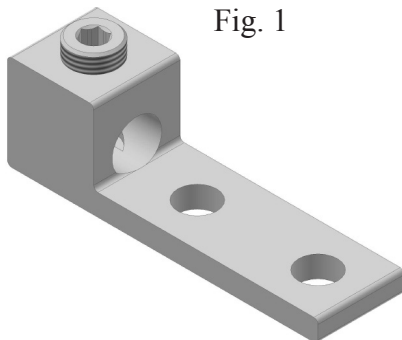
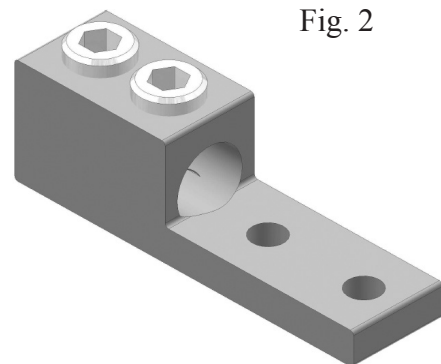
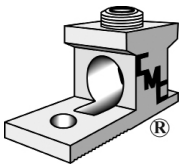


Fig. 2





Three Conductor Solderless Lugs



90° C Rating (486B Listed)

TYPE: L3M2 / L3D2 / L3M4 / L3D4

CMC® Three conductor solderless connectors are manufactured from high strength 6061-T6 aluminum alloy to insure both maximum strength and conductivity. They are dual rated for both copper and aluminum conductors and are electro tin plated to provide low contact resistance and protection against corrosion. Assembly can be made with only a screwdriver or allen wrench and the connectors are reusable.

DUAL-RATED SOLDERLESS CONNECTORS For use with both aluminum and copper conductors

Catalog No	Fig. No.	Cond. Range AWG mm ²	Stud Size* mm	Dimensions - inches		
				H	W	L
				Dimensions - millimeters		
L3M2-1/0	1	1/0-14	.38 (2)	.88	2.00	2.91
		50-1.5	9.65 (2)	22.35	50.80	73.91
L3M2-3/0	1	3/0-6	.38 (2)	1.19	2.81	4.25
		70-16	9.65 (2)	30.23	71.37	107.95
L3M2-250	1	250-6	.50 (2)	1.19	3.00	4.25
		120-16	12.70 (2)	30.23	76.20	107.95
L3M2-350	1	350-6	.50 (2)	1.38	3.50	4.50
		185-16	12.70 (2)	35.05	88.90	114.30
L3M2-500	1	500-4	.50 (2)	1.56	3.75	4.69
		240-16	12.70 (2)	39.62	95.25	119.13
L3D2-600	2	600-2	.50 (2)	1.50	4.19	5.50
		300-25	12.70 (2)	38.10	106.43	139.70
L3D2-800	2	800-300	.50 (2)	1.88	4.50	6.19
		40-150	12.70 (2)	47.75	114.30	157.23
L3D2-1000	2	1000-350	.50 (2)	1.88	5.30	6.19
		500-185	12.70 (2)	47.75	134.62	157.23
L3M4-1/0	3	1/0-14	.38 (4)	.88	2.00	2.91
		50-1.5	9.65 (4)	22.35	50.80	73.91
L3M4-3/0	3	3/0-6	.38 (4)	1.19	2.81	4.25
		70-16	9.65 (4)	30.23	71.37	107.95
L3M4-250	3	250-6	.50 (4)	1.19	3.00	4.25
		120-16	12.70 (4)	30.23	76.20	107.95
L3M4-350	3	350-6	.50 (4)	1.38	3.50	4.50
		185-16	12.70 (4)	35.05	88.90	114.30
L3M4-500	3	500-4	.50 (4)	1.56	3.75	4.69
		240-16	12.70 (4)	39.62	95.25	119.13
L3D4-600	4	600-2	.50 (4)	1.50	4.19	5.50
		300-25	12.70 (4)	38.10	106.43	139.70
L3D4-800	4	800-300	.50 (4)	1.88	4.25	6.19
		400-150	12.70 (4)	47.75	107.95	157.23

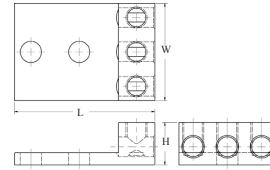
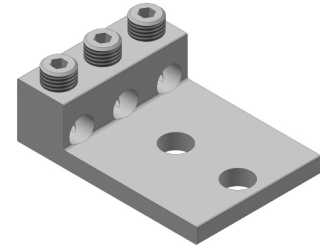


Fig. 1

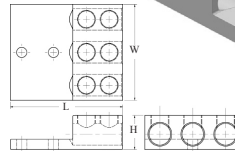
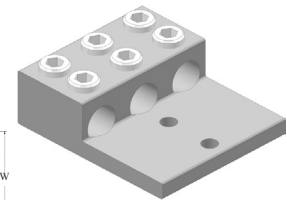


Fig. 2

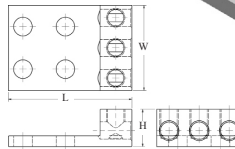
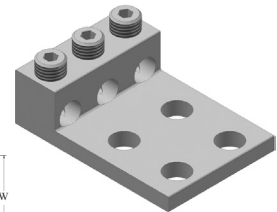


Fig. 3

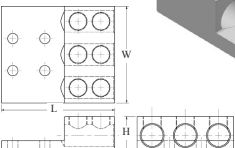
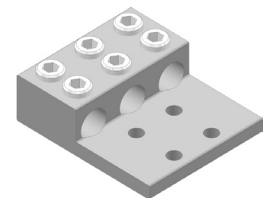
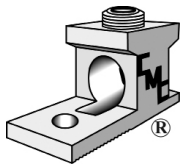


Fig. 4

*This dimension can be altered per customer requirements.



Four Conductor Solderless Lugs



90° C Rating (486B Listed)

TYPE: L4M4 / L4D4

CMC® Four conductor solderless connectors are manufactured from high strength 6061-T6 aluminum alloy to insure both maximum strength and conductivity. They are dual rated for both copper and aluminum conductors and are electro tin plated to provide low contact resistance and protection against corrosion. Assembly can be made with only a screwdriver or allen wrench and the connectors are reusable.

DUAL-RATED SOLDERLESS CONNECTORS For use with both aluminum and copper conductors

Catalog No	Fig. No.	Cond. Range AWG mm ²	Stud Size* mm	H	W	L
				Dimensions - inches		
				Dimensions - millimeters		
L4M4-250	1	250-6	.50 (4)	1.19	4.04	4.25
		120-16	12.70 (4)	30.23	102.62	107.95
L4M4-350	1	350-6	.50 (4)	1.38	4.50	4.50
		185-16	12.70 (4)	35.05	119.89	114.30
L4M4-500	1	500-4	.50 (4)	1.56	5.24	4.69
		240-16	12.70 (4)	39.62	133.10	119.13
L4D4-600	2	600-2	.50 (4)	1.50	5.64	5.50
		300-25	12.70 (4)	38.10	143.26	139.70
L4D4-800	2	800-300	.50 (4)	1.88	7.16	6.19
		400-150	12.70 (4)	47.75	181.86	157.23
L4D4-1000	2	1000-350	.50 (4)	1.88	7.11	6.19
		500-185	12.70 (4)	47.75	180.59	157.23

*This dimension can be altered per customer requirements.

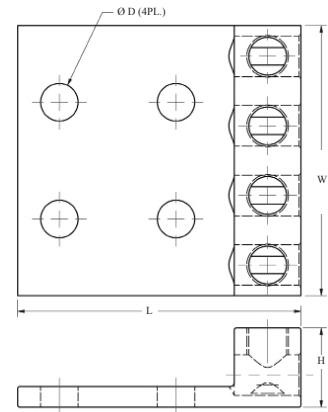


Fig. 1

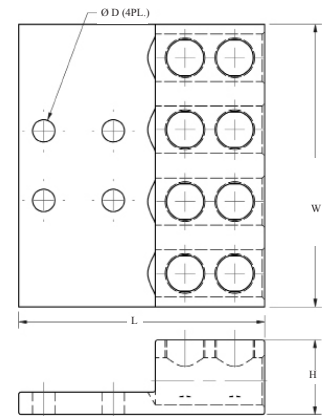


Fig. 2

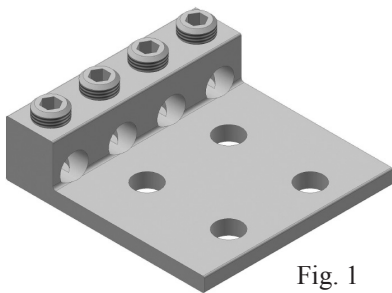


Fig. 1

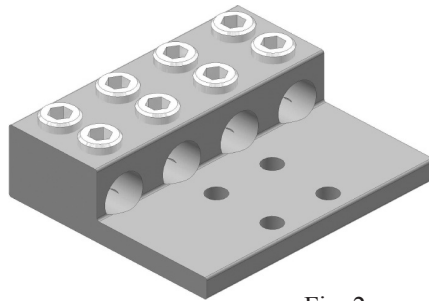
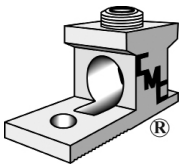


Fig. 2



Two Conductor Solderless Lugs



90° C Rating (486B Listed)

TYPE: DLA / L2M2 / L2D2

CMC® Two conductor solderless connectors are manufactured from high strength 6061-T6 aluminum alloy to insure both maximum strength and conductivity. They are dual rated for both copper and aluminum conductors and are electro tin plated to provide low contact resistance and protection against corrosion. Assembly can be made with only a screwdriver or allen wrench and the connectors are reusable.

Catalog Number	Fig. No.	Cond. Range AWG mm	Stud Size* mm	Dimensions, inches		
				H	W	L
				Dimensions, millimeters		
DLA-1/0	1	1/0-14 (2)	.25	.78	1.13	1.47
		50-1.5 (2)	6.35	19.81	28.70	37.34
DLA-2/0	1	2/0-14 (2)	.25	.78	1.25	1.47
		50-1.5 (2)	6.35	19.81	31.75	34.34
DLA-250	1	250-6 (2)	.38	1.19	1.64	2.56
		120-16 (2)	9.65	30.23	41.66	65.02
DLA-350	1	350-6 (2)	.50	1.25	1.92	2.88
		185-16 (2)	12.70	31.75	48.77	73.15
DLA-600	1	600-2 (2)	.50	1.56	2.41	3.19
		300-25 (2)	12.70	39.62	61.21	81.03
DLA-800	1	800-300 (2)	.63	1.94	3.50	3.50
		400-150 (2)	16.00	49.28	88.90	88.90
DLA-1000	1	1000-350 (2)	.63	1.94	3.50	3.50
		500-185 (2)	16.00	49.28	88.90	88.90
L2M2-350	2	350-6 (2)	.50 (2)	1.37	2.29	4.50
		185-16 (2)	12.70 (2)	34.80	58.17	114.30
L2D2-350	3	350-6 (2)	.50 (2)	1.38	2.31	4.25
		185-16 (2)	12.70 (2)	35.05	58.67	107.95
L2D2-600	3	600-2 (2)	.50 (2)	1.50	2.75	5.31
		300-15 (2)	12.70 (2)	38.10	69.85	134.87
L2D2-800	3	800-300 (2)	.50 (2)	1.87	3.50	6.19
		400-150 (2)	12.70 (2)	47.50	88.90	157.23
L2D2-1000	3	1000-350 (2)	.50 (2)	1.87	3.50	6.19
		500-185 (2)	12.70 (2)	47.50	88.90	157.23

*This dimension can be altered per customer requirements.

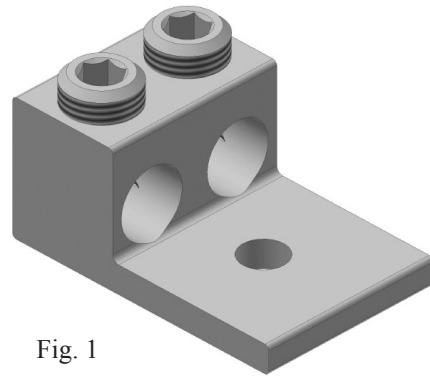


Fig. 1

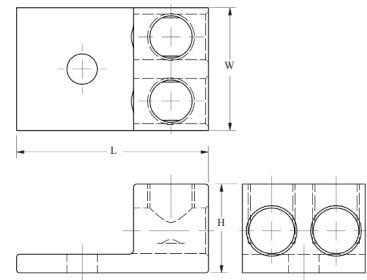


Fig. 2

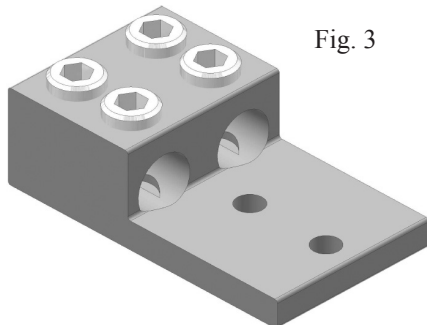
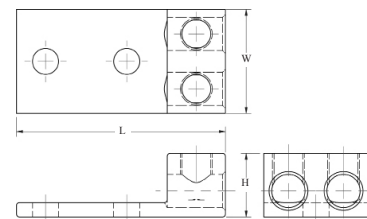
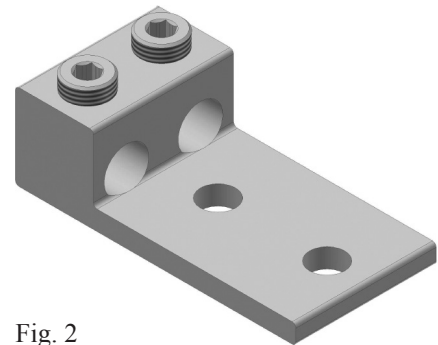
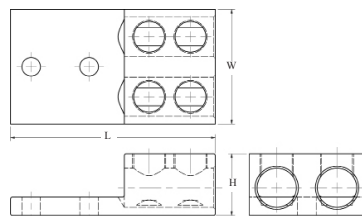
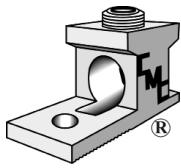


Fig. 3





Panelboard Solderless Lugs

TYPE: PV



90° C Rating (486B Listed)

CMC® Panelboard connectors are manufactured from high strength 6061-T6 aluminum alloy to insure both maximum strength and conductivity. They are dual rated for both copper and aluminum conductors and are electro tin plated to provide low contact resistance and protection against corrosion. Assembly can be made with only a screwdriver or allen wrench and the connectors are reusable.

DUAL-RATED SOLDERLESS CONNECTORS For use with both aluminum and copper conductors

Catalog Number	Fig. No.	Cond. Range AWG mm ²	Stud Size* mm	Dimensions, inches		
				H	W	L
PV2-300	1	300-6 (2)	.31	2.00	1.00	3.00
		150-16 (2)	7.87	50.80	25.40	76.20
PV2-500	2	500-4 (2)	.38 (2)	3.00	1.50	4.91
		240-16 (2)	9.65 (2)	76.20	38.10	124.71
PV2-600	2	600-2 (2)	.38 (2)	3.00	1.50	4.91
		300-25 (2)	9.65 (2)	76.20	38.10	124.71
PV2-750	2	750-1/0 (2)	.38 (2)	3.00	1.56	4.91
		300-50 (2)	9.65 (2)	76.20	39.62	124.71
PV3-500	3	500-4 (3)	.38 (2)	3.00	2.50	4.91
		240-16 (3)	9.65 (2)	76.20	63.50	124.71
PV3-600	3	600-2 (3)	.38 (2)	3.00	2.50	4.91
		300-25 (3)	9.65 (2)	76.20	63.50	124.71
PV3-750	3	750-1/0 (3)	.38 (2)	3.00	2.84	4.91
		300-50 (3)	9.65 (2)	76.20	72.14	124.71
PV4-500	4	500-4 (4)	.38 (2)	3.00	2.50	4.91
		240-16 (4)	9.65 (2)	76.20	63.50	124.71
PV4-600	4	600-2 (4)	.38 (2)	3.00	2.50	4.91
		300-25 (4)	9.65 (2)	76.20	63.50	124.71
PV4-750	4	750-1/0 (4)	.38 (2)	3.00	2.84	4.91
		300-50 (4)	9.65 (2)	76.20	72.14	124.71

*This dimension can be altered per customer requirements.

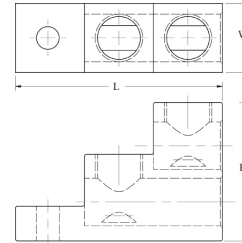


Fig. 1

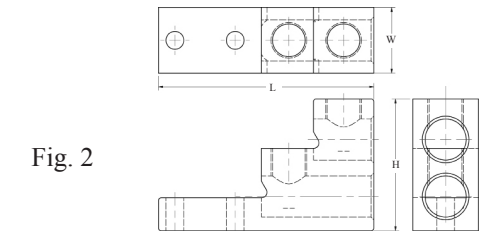


Fig. 2

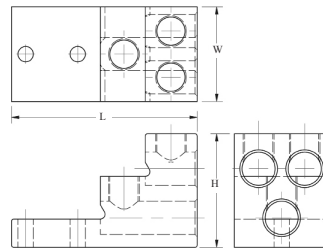


Fig. 3

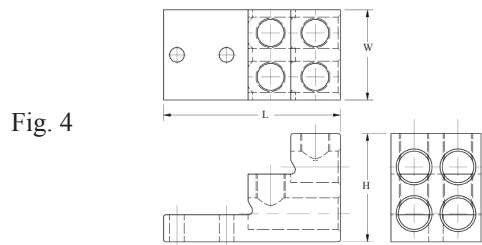


Fig. 4

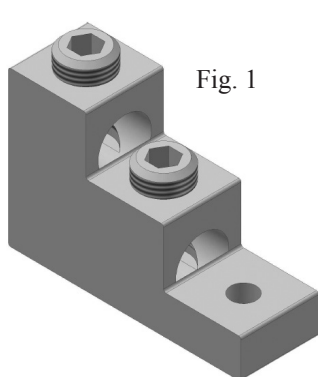


Fig. 1

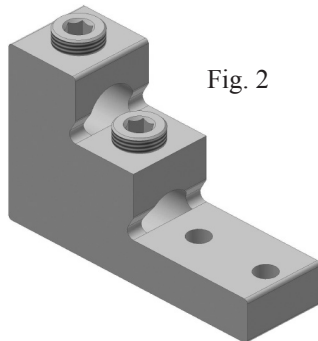


Fig. 2

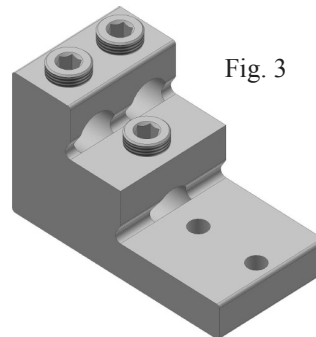


Fig. 3

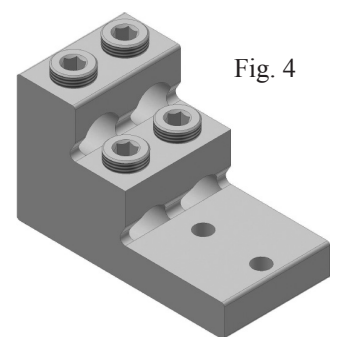
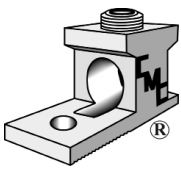


Fig. 4



Switchgear Connectors and Grounding Connectors

TYPE: SG



90° C Rating (486B Listed)

CMC® Switchgear connectors are manufactured from high strength 6061-T6 aluminum alloy to insure both maximum strength and conductivity. They are dual rated for both copper and aluminum conductors and are electro tin plated to provide low contact resistance and protection against corrosion. Designed with slotted mounting holes on 350MCM and above for varied mounting arrangements.

DUAL-RATED SOLDERLESS CONNECTORS

For use with both aluminum and copper conductors

Catalog Number	Fig. No.	Cond. Range AWG mm ²	Stud Size* mm	H	W	L
				Dimensions, inches		
				Dimensions, millimeters		
SG-250	1	250-3/0	.38 (2)	1.18	1.00	3.00
		120-70	9.65 (2)	29.97	25.40	76.20
SG-350	1	350-1/0	.50 (2)	1.56	1.25	4.69
		185-50	12.70 (2)	39.62	31.75	119.13
SG-500	1	500-2	.50 (2)	1.56	1.25	4.69
		240-25	12.70 (2)	39.62	31.75	119.13
SG-800	1	800-350	.50 (2)	1.88	1.62	6.19
		400-185	12.70 (2)	47.75	41.15	157.23
SG-1000	1	1000-350	.50 (2)	1.88	1.62	6.19
		500-185	12.70 (2)	47.75	41.15	157.23

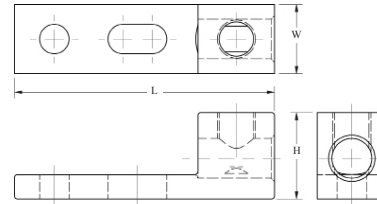
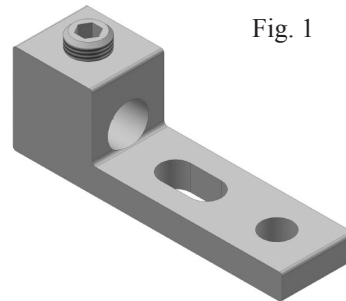


Fig. 1



*This dimension can be altered per customer requirements.

TYPE: LI Lay-In Connector



90° C Rating (486B Listed)

CMC® LI-S ground connectors are manufactured from high strength 6061-T6 aluminum alloy to insure both maximum strength and conductivity. They are dual rated for both copper and aluminum conductors and are electro tin plated to provide low contact resistance and protection against corrosion. They are designed for use on conduit grounding bushings. The open-faced design allows the installer to quickly ay-in the grounding conductor as a jumper to multiple conduits with no break in the ground conductor.

DUAL-RATED SOLDERLESS CONNECTORS

For use with both aluminum and copper conductors

Catalog Number	Fig. No.	Cond. Range AWG mm ²	Stud Size* mm	H	W	L
				Dimensions, inches		
				Dimensions, millimeters		
LI-50S	1	4-14	.22	.78	.38	1.07
		16-1.5	5.59	19.81	9.65	27.18
LI-112S	1	1/0-14	.27	1.17	.60	1.50
		50-1.5	6.86	29.72	15.24	38.10
LI-200S	2	3/0-6	.33	1.56	.80	2.00
		70-16	8.38	39.62	20.32	50.80
LI-252S	2	250-6	.33	1.79	.80	2.20
		120-16	8.38	45.47	20.32	55.88

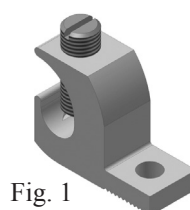
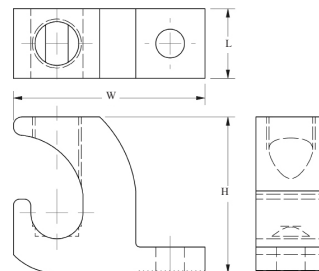


Fig. 1

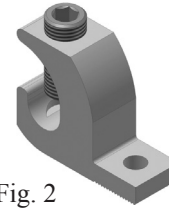
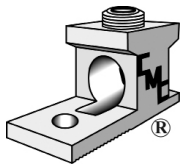


Fig. 2

*This dimension can be altered per customer requirements.



Rectangular Connectors

DUAL-RATED SOLDERLESS CONNECTORS
For use with both aluminum and copper conductors



TYPE: CA / LI

CMC® Rectangular connectors are manufactured from high strength 6061-T6 aluminum alloy to insure both maximum strength and conductivity. They are dual rated for both copper and aluminum conductors and are electro tin plated to provide low contact resistance and protection against corrosion. Assembly can be made with only a screwdriver or allen wrench and the connectors are reusable.

Catalog Number	Fig. No.	Cond. Range AWG mm ²	Boss Tap* mm	H	W	L
				Dimensions, inches		
				Dimensions, millimeters		
CA-40S	1	4-14	.22 / 10-32	.48	.34	.38
		16-1.5	5.59	12.19	8.64	9.65
CA-60S	1	2-14	.22 / 10-32	.56	.47	.47
		25-1.5	5.84	14.22	11.94	11.94
CA-110S	1	1/0-14	.22 / 10-32	.61	.53	.63
		50-1.5	5.84	15.49	13.46	16.00
CA-150S	1	2/0-14	.22 / 10-32	.75	.58	.63
		50-1.5	5.84	19.05	14.73	16.00
CA-210	2	250-6	.29D / 1/4-20	1.00	.81	.94
		120-16	7.37D	25.40	20.57	23.88
CA-360	2	300-6	.29D / 1/4-20	1.00	.81	1.00
		150-16	7.37D	25.40	20.57	25.40
CA-380	2	350-6	.29D / 1/4-20	1.13	1.00	.94
		185-16	7.37D	28.70	25.40	23.88
CA-635	3	600-4 / (2) 250-1/0	Flat / 1/4-20 (2)	1.68	1.22	1.25
		200-16 / (2) 120-50		42.67	30.99	31.75
CA-750	3	750-3/0 / (2) 250-1/0	Flat / 1/4-20 (2)	2.06	1.38	1.25
		300-70 / (2) 120-50		52.32	35.05	31.75

*This dimension can be altered per customer requirements.

Lay-in style collars - Use where lay-in feature is desired.

LI-250	4	250-1/0		1.39	1.25	1.00
		120-50		35.31	31.75	25.40
LI-500	4	500-3/0		1.63	1.66	1.50
		240-70		41.40	42.16	38.10
LI-501	4	500-1/0		2.00	1.50	1.25
		240-50		50.80	38.10	31.75
LI-750	4	750-250		2.50	1.63	1.50
		300-120		63.50	41.40	38.10
LI-350I	4	350-6		1.40	1.35	1.00
		n/a		n/a	n/a	n/a

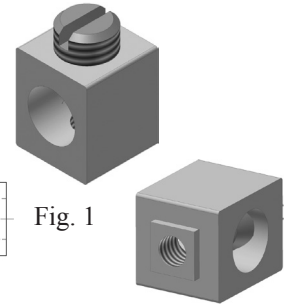
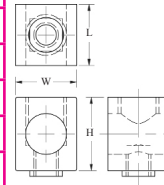


Fig. 1

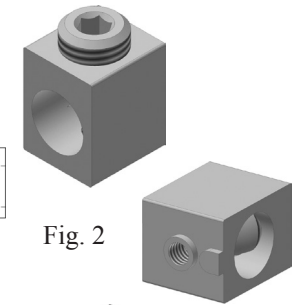
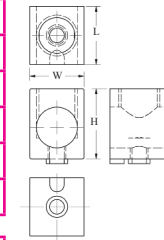


Fig. 2

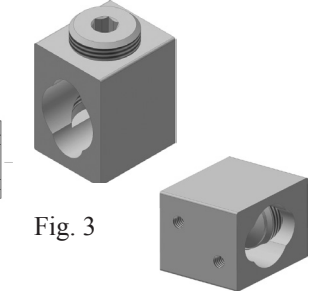
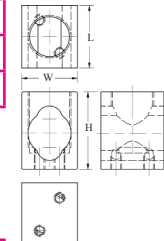


Fig. 3

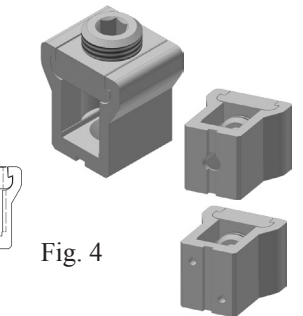
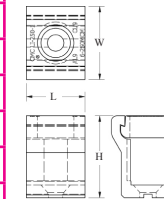
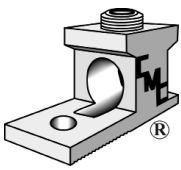


Fig. 4



Splicers / Reducers



90° C Rating (486B Listed)

TYPE: SR- Solid Bearers

CMC® Splicers/Reducers are manufactured from high strength 6061-T6 aluminum alloy to insure both maximum strength and conductivity. They are dual rated for both copper and aluminum conductors and are electro tin plated to provide low contact resistance and protection against corrosion. The rounded corners facilitate tapping and a solid center barrier prevents dissimilar metals from coming into contact.

DUAL-RATED SOLDERLESS CONNECTORS
For use with both aluminum and copper conductors

Catalog Number	Fig. No.	Cond. Range AWG mm ²	Strip Length mm	H	W	L
				Dimensions, inches		
				Dimensions, millimeters		
SR-2	1	2-14	.63	.56	.50	1.38
		25-1.5	16.00	14.22	12.70	35.05
SR-0	1	1/0-14	.88	.75	.75	1.91
		50-1.5	22.35	19.05	19.05	48.51
SR-250	2	250-6	.94	1.13	1.00	3.94
		120-16	23.88	28.70	25.40	100.08
SR-350	2	350-6	2.06	1.19	1.13	4.19
		185-16	52.32	30.23	28.70	106.43
SR-500	2	500-3/0	2.44	1.50	1.38	5.00
		240-70	61.98	38.10	35.05	127.00
SR-750	3	750-250	3.06	1.75	1.63	6.25
		300-120	77.72	44.45	41.40	158.75
SR-1000	3	1000-350	3.94	2.00	1.75	8.00
		500-185	100.08	50.80	44.45	203.20

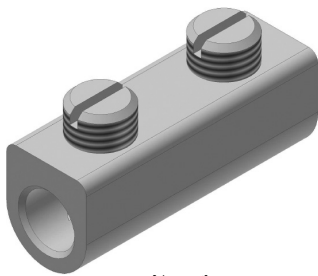
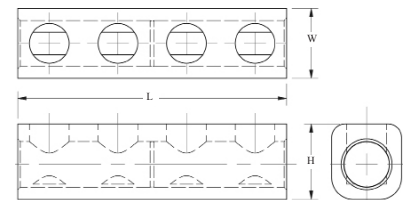
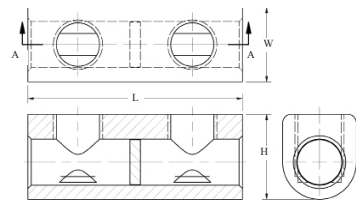


Fig. 1

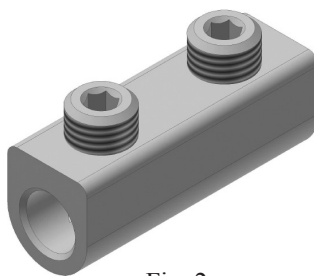


Fig. 2

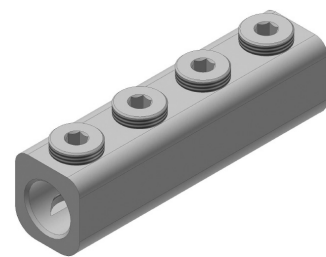
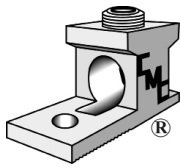


Fig. 3



Aluminum Tap Connectors



90° C Rating (486B Listed)

TYPE: GPT / TC

CMC® Parallel and Tee Taps are manufactured from high strength 6061-T6 aluminum alloy to insure both maximum strength and conductivity. They are dual rated for both copper and aluminum conductors and are electro tin plated to provide low contact resistance and protection against corrosion. Only a screddriver or allen wrench is needed for assembly. They are also reusable.

DUAL-RATED SOLDERLESS CONNECTORS
For use with both aluminum and copper conductors

Catalog Number Parallel	Fig. No.	Conductor Range		H	W	L			
		Main mm ²	Tap mm ²				Dimensions, inches		
							Dimensions, millimeters		
GPT-2	1	2-12	4-14	.88	.63	1.39			
		25-2.5	16-1.5	22.35	16.00	35.31			
GPT-1/0	2	1/0-2	1/0-14	1.00	.75	1.75			
		50-25	50-1.5	25.40	19.05	44.45			
GPT-250-0	2	250-1/0	1/0-14	1.31	1.06	2.03			
		120-50	50-1.5	33.27	26.92	51.56			
GPT-250-250	2	250-1/0	250-6	1.31	1.06	2.28			
		120-50	50-1.5	33.27	26.92	57.91			
GPT-350	2	350-4/0	350-6	1.44	1.25	2.56			
		185-95	185-16	36.58	31.75	65.02			
GPT-500	2	500-350	500-2	1.75	1.38	3.13			
		250-185	240-25	44.45	35.05	79.50			
GPT-750-500	2	750-500	500-2	2.00	1.50	3.38			
		300-240	240-25	50.80	38.10	85.85			
GPT-750A	2	750-500	750-1/0	2.00	1.50	3.38			
		300-240	300-50	50.80	38.10	85.85			

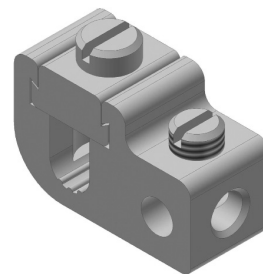
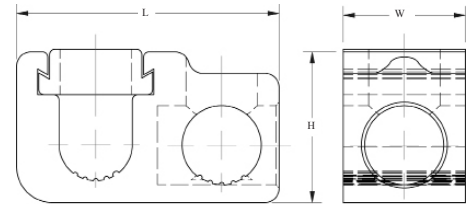


Fig. 1

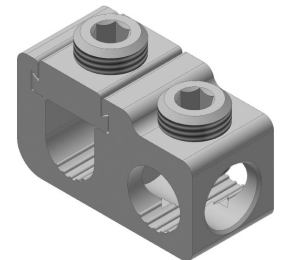
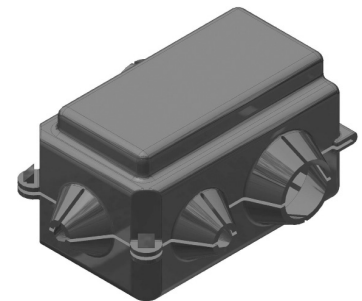
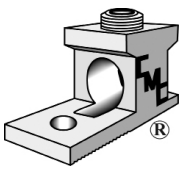


Fig. 2

Cover Number	Cover Color	Use with Connector	H	W	L
			Dimensions, inches		
			Dimensions, millimeters		
TC-2	Yellow	GP-2 / GT-2	1.11	1.37	2.25
			28.19	34.80	57.15
TC-1/0	Grey	GP-1/0 / GT-1/0	1.26	2.17	2.61
			32.00	55.12	66.29
TC-250	Red	GP-250 / GT-250	1.63	3.18	3.44
			41.40	80.77	87.38
TC-350	Yellow	GP-350 / GT-350	1.76	3.29	3.76
			44.70	83.57	95.50
TC-500	Blue	GP-500 / GT-500	2.12	3.34	4.89
			53.85	84.84	124.21
TC-750	Orange	GP-750 / GT-750	2.34	3.45	4.55
			59.44	87.63	115.57





Aluminum Tap Connectors

TYPE: GP / GT



90° C Rating (486B Listed)

CMC® Parallel and Tee Taps are manufactured from high strength 6061-T6 aluminum alloy to insure both maximum strength and conductivity. They are dual rated for both copper and aluminum conductors and are electro tin plated to provide low contact resistance and protection against corrosion. Only a screwdriver or allen wrench is needed for assembly. They are also reusable.

DUAL-RATED SOLDERLESS CONNECTORS
For use with both aluminum and copper conductors

Four Parallel Taps

Catalog Number	Fig. No.	Conductor Range		H	W	L
		Main mm^2	Tap mm^2			
		Dimensions, inches				
GP4-250	1	250-1/0	2-14	1.31	1.06	2.28
		120-50	25-1.5	33.27	26.92	57.91
GP4-350	1	350-4/0	2-14	1.44	1.25	2.56
		185-95	25-1.5	36.85	31.75	65.02
GP4-500	1	500-350	1/0-14	1.75	1.38	3.13
		240-185	50-1.5	44.45	35.05	79.50

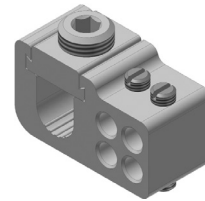
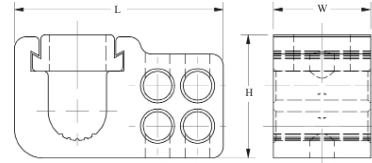


Fig. 1

Four Tee Taps

GT4-250	2	250-1/0	2-14	1.31	1.06	2.28
		120-50	25-1.5	33.27	26.92	57.91
GT4-350	2	350-4/0	2-14	1.44	1.25	2.56
		185-95	25-1.5	36.58	31.75	65.02
GT4-500	2	500-350	1/0-14	1.75	1.38	3.13
		240-185	50-1.5	44.45	35.05	79.50

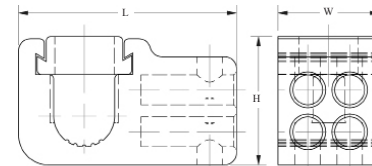


Fig. 2

Two Tee Taps

GPT2-250	3	250-1/0	250-6	1.31	2.12	2.28
		120-50	120-16	33.27	53.58	57.91
GPT2-350	3	350-4/0	350-6	1.44	2.56	2.56
		185-95	185-16	36.58	65.02	65.02
GPT2-500	3	500-350	500-2	1.75	2.88	3.13
		240-185	240-25	44.45	73.15	79.50

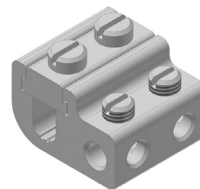
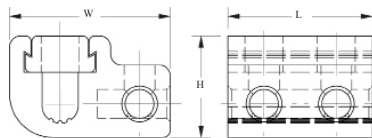


Fig. 3

Three Tee Taps

GPT3-250	4	250-1/0	250-6	1.31	3.31	2.28
		120-50	120-16	33.27	84.07	57.91
GPT3-350	4	350-4/0	350-6	1.44	3.88	2.56
		185-95	185-16	36.58	98.55	65.02
GPT3-500	4	500-350	500-2	1.75	4.38	3.13
		240-185	240-25	44.45	111.25	79.50

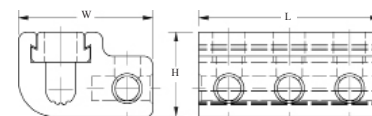
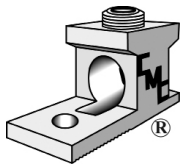


Fig. 4



Aluminum Neutral Bars



TYPE: NA / SCB

CMC® Aluminum Neutral Bars are manufactured from high strength 6061-T6 aluminum alloy to insure both maximum strength and conductivity. They are dual rated for both copper and aluminum conductors and are electro tin plated to provide low contact resistance and protection against corrosion. Only a screwdriver or allen wrench is needed for assembly.

DUAL-RATED SOLDERLESS CONNECTORS

For use with both aluminum and copper conductors

Catalog Number	Fig. No.	Conductor Range <i>mm²</i>	H	W
			Dimensions, inches	
			Dimensions, millimeters	
NA-30	1	6-14	.44	.31
		16-1.5	11.18	7.87
NA-35	1	4-14	.50	.31
		16-1.5	12.70	7.87
NA-70	1	4-14	.50	.38
		16-1.5	12.70	9.65
NA-125	1	1/0-14	.75	.56
		50-1.5	19.05	14.22
NA-150	1	2/0-14	.75	.56
		50-1.5	19.05	14.22
NA-250	1	250-6	1.00	.88
		120-16	25.40	22.35

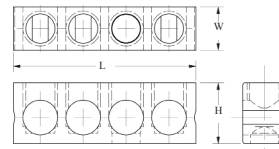
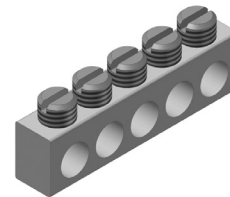
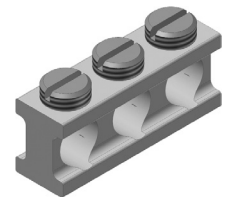
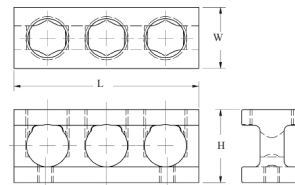


Fig. 1



NA-130	2	1/0-14	.75	.63
		50-1.5	19.05	16.00
NA-140	2	2/0-14	1.16	.97
		50-1.5	29.46	24.64
NA-300	2	300-6	1.16	.97
		150-16	29.46	24.64



*SCB-1/0	3	1/0-14 / 6-14	.63	.38
		50-1.5 / 16-1.5	16.00	9.65
*SCB-2/0	3	2/0-14 / 6-14	.69	.38
		50-1.5 / 16-1.5	17.45	9.65

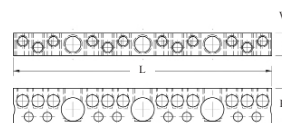
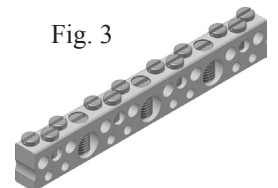
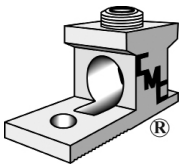


Fig. 3



*This bar is also approved as an equipment ground and is 90° C rated.

The number of outlets, outlet spacing and mounting hole locations can be established according to individual requirements.



Single Hole Solderless Lugs

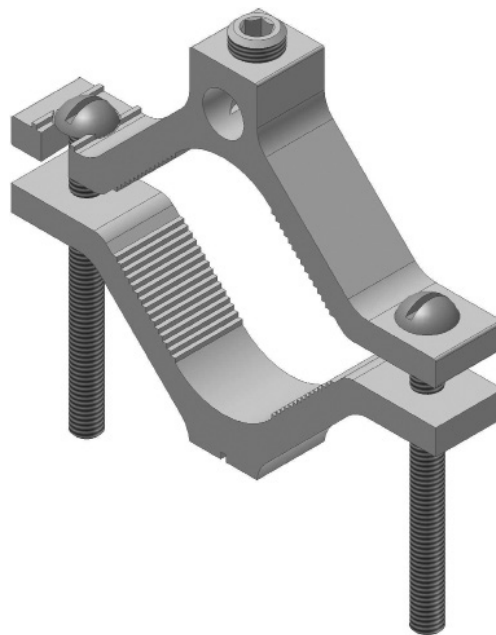
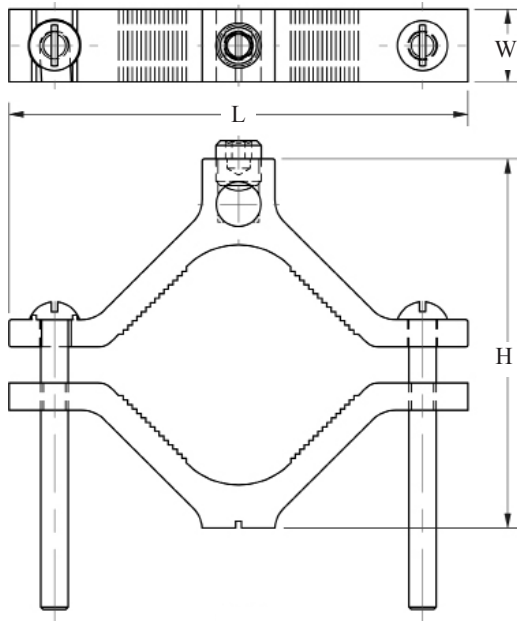


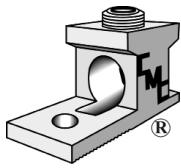
TYPE: GC

CMC® Dual Rated Ground Clamps are manufactured from high strength 6061-T6 aluminum alloy to insure both maximum strength and conductivity. They are dual rated for both copper and aluminum conductors and are electro tin plated to provide low contact resistance and protection against corrosion. They also cover a range from 1/2" to 4" pipe with a ground wire range covering 250 kcmil to #14AWG. They effectively ground copper or aluminum conductors to copper water pipe, galvanized pipe, or steel conduit.

Catalog Number	Conduit, Pipe, or Water Tube Size	Rebar Size	Ground Wire Range	Screw Type	H	W	Hex Size
					Dimensions		
GC15A	1/2-3/4-1	#4, #5, #6	1/0-14	Slotted	11/16	2/1/4	Slot
*GC18A	1 1/4-1 1/2-2	-	250MCM-6	Hex Socket	13-6	3-3/4	5/16
*GC21A	2 1/2-3 1/2-4	-	250MCM-6	Hex Socket	1	6-5/16	5/16

*UL467 Listing pending at time of printing.

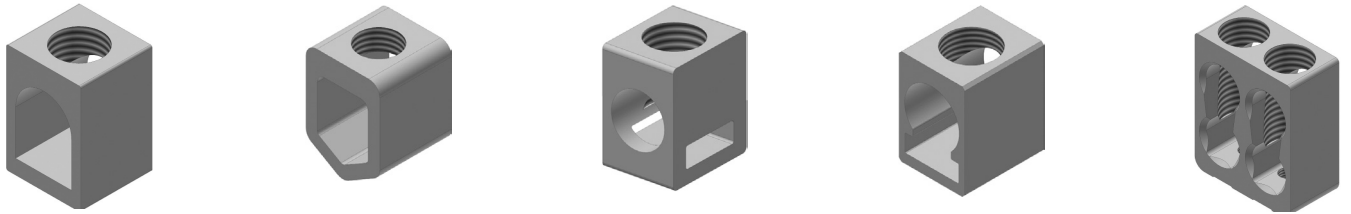




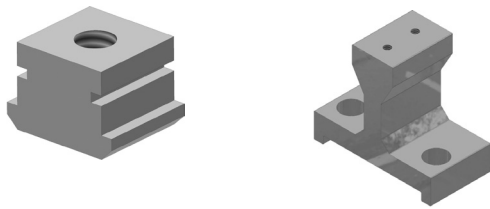
Special Connectors

These special lugs were designed for individual needs. These connectors illustrate CMC's flexibility and ability to assist the customer in the design of connectors to meet whatever requirements they may have.

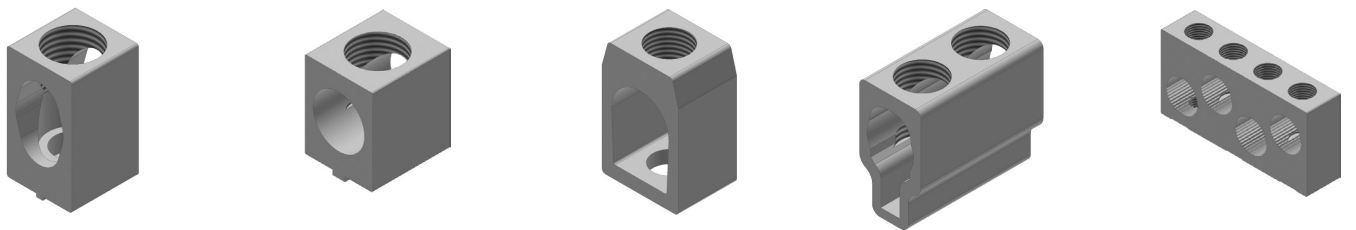
Special Inside-Mounted Connectors



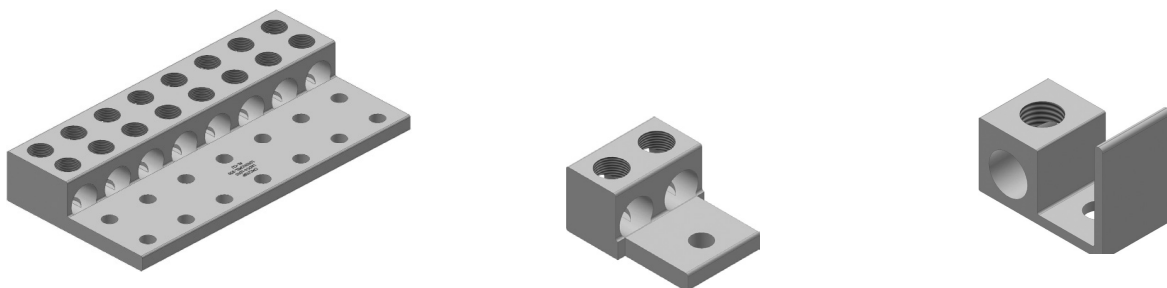
Special Spacers

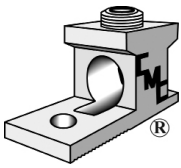


Special Top-Mounted Connectors



Special Styles





CMC® Copper Connectors

Connector Manufacturing Company® fabricates the best in electrolytic copper electrical connectors. Copper connectors are formed from 100% pure electrolytic copper to eliminate the effects upon conductivity when alloys are utilized to reduce costs.

CMC® copper connectors are either extruded from pure electrolytic copper or formed from copper tubing carefully shaped to size. They may also be produced from copper strip which is used to form the tang or bus connection. These light weight connectors will perform better than many of the heavier, more bulky cast copper alloyed products on the market. This saves the customer the cost of metal, freight and space, while gaining top conductivity.

We therefore, offer these advantages in connector design:

- Compact Design.

- High Strength - low heat rise copper.

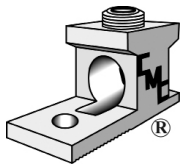
- Relatively light weight construction.

- Economy and efficiency.

- Tested products in accordance with Underwriters Laboratories and the Canadian Standards

- Association requirements for listing.

These features together with our dedication for the highest quality standards available and an unsurpassed service level, provide our customers with maximum reliability.



Copper Solderless Lugs



90° C Rating (486B Listed)

TYPE: CF / CFS

CMC® Single hole solderless lugs are manufactured from high strength pure electrolytic copper to insure both maximum strength and conductivity. Conductors are inserted between arched pressure bar and V- bottom collar which positions the wire for positive contact and maximum security. Easy to install with screwdriver, wrench or pliers and reusable. Plain copper finish.

COPPER SOLDERLESS CONNECTORS For use with copper conductors ONLY

Catalog Number	Fig. No.	Cond. Range AWG mm ²	Mtg. Hole* mm	H	W	L
				Dimensions, inches		
				Dimensions, millimeters		
CF-25	1	10-14	.16	.66	.31	1.00
		4-1.5	4.06	16.76	7.87	25.40
CF-35	1	6-14	.20	.75	.38	1.19
		16-1.5	5.08	19.05	9.65	30.23
CF-70	1	4-14	.27	.81	.50	1.31
		16-1.5	6.86	20.57	12.70	33.27
CF-90	1	2-8	.27	1.00	.50	1.22
		25-10	9.86	25.40	12.70	30.99
CF-125	1	1/0-2	.41	1.34	.63	1.97
		50-25	10.41	34.04	16.00	50.04
CF-175	2	3/0-4	.41	1.56	.75	2.19
		70-16	10.41	39.62	19.05	55.63
CF-225	2	4/0-2	.41	1.81	1.00	2.63
		95-25	10.41	45.97	25.40	66.80
CF-300	2	350-1/0	.41	2.63	1.00	3.19
		185-50	10.41	66.80	25.40	81.03
CF-400	2	500-1/0	.41	2.75	1.50	4.25
		240-50	10.41	69.85	38.10	107.95
CF-650	2	1000-600	.53	3.69	2.00	4.63
		500-300	13.46	93.73	50.80	117.60
CFS-25	3	10-14	.16	.66	.31	.95
		4-1.5	4.06	16.76	7.87	24.13
CFS-35	3	6-14	.20	.75	.38	1.19
		16-1.5	5.08	19.05	9.65	30.23
CFS-70	3	4-14	.27	.81	.50	1.31
		16-1.5	6.86	20.57	12.70	33.27
CFS-90	3	2-8	.27	1.00	.50	1.22
		25-10	9.86	25.40	12.70	30.99
CFS-125	3	1/0-2	.27	1.34	.63	1.97
		50-25	10.41	34.04	16.00	50.04
CSF-175	4	3/0-4	.41	1.56	.75	2.19
		70-16	10.41	39.62	19.05	55.63
CFS-225	4	4/0-2	.41	1.81	1.00	2.63
		95-25	10.41	45.97	25.40	66.80
CFS-300	4	350-1/0	.41	2.63	1.00	3.19
		185-50	10.41	66.80	25.40	81.03
CFS-400	4	500-1/0	.41	2.75	1.50	4.25
		240-50	10.41	69.85	38.10	107.95
CFS-650	4	1000-600	.53	3.69	2.00	4.63
		500-300	13.46	93.73	50.80	117.60

*This dimension can be altered per customer requirements.

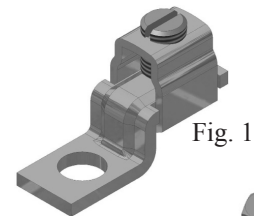
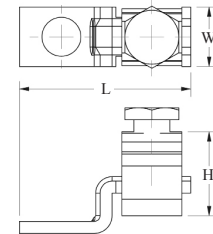


Fig. 1

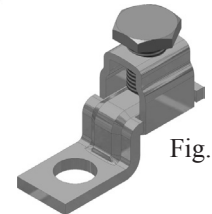


Fig. 2

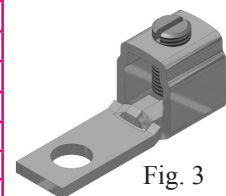
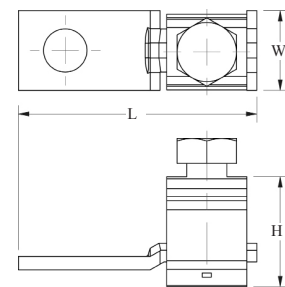


Fig. 3

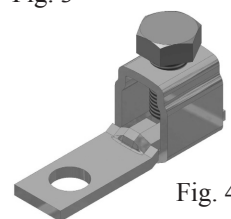
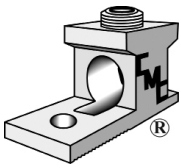


Fig. 4



Copper Solderless Lugs



PosiGrip
90° C Rating (486B Listed)

TYPE: BC

- The unique ridges formed on the bottom of the contact surface are designed to provide contact points for an electrically secure joint of the lowest resistance for current flow.
- The screws used to clamp the conductors are designed to extend beyond the barrel sides of the connector to allow a better, more secure compression of the conductor. This design spreads the conductor strands to help dissipate heat, and improve its pull-out safety features and capabilities.
- The design of the wire way provides optimum transfer of current, creating a straight line flow through the connector for the least possible path of electrical resistance. A positive wire stop is also provided.

COPPER SOLDERLESS CONNECTORS
For use with copper conductors ONLY

U.S. Patent 4,946,405
U.S. Patent 3,09,129
U.S. Patent 5,030,131

Catalog Number	Fig. No.	Screw Type	Cond. Size AWG <i>mm²</i>	H	W	L	G	D*	T			
				Dimensions, inches						Dimensions, millimeters		
BC-50	1	Slot -	6-14	.44	.44	.81	.22	.27	.09			
			16-1.5	12.19	12.19	20.57	5.59	6.86	2.92			
BC-70	1	Slot -	2-14	.50	.50	1.00	.27	.27	.09			
			25-1.5	12.70	12.70	25.40	6.86	6.86	2.92			
BC-112	1	Slot -	1/0-14	.66	.56	1.12	.28	.27	.16			
			50-1.5	16.76	14.22	28.45	7.11	6.86	4.06			
BC-125	1	Slot -	2/0-14	.78	.56	1.25	.31	.27	.19			
			50-1.5	19.81	14.22	31.75	7.87	6.86	4.83			
BC-250	2	.31H 7.87	250-6	.97	.81	1.72	.44	.33	.19			
			120-16	24.64	20.57	43.69	11.18	8.38	4.83			
BC-350	2	.31H 7.87	350-6	1.12	.94	2.00	.45	.33	.19			
			185-16	28.45	23.88	50.80	11.43	8.38	4.83			
BC-500	2	.38H 9.65	500-4	1.38	1.25	2.37	.63	.41	.26			
			240-16	35.05	31.75	60.20	16.00	10.41	6.60			
BC-600	2	.38H 9.65	600-2	1.50	1.30	2.50	.75	.41	.26			
			300-25	38.10	33.02	63.50	19.05	10.41	6.60			
BC-750	2	.38H 9.65	750-1/0	1.68	1.38	2.75	.75	.66	.31			
			300-50	42.67	35.05	69.85	19.05	16.76	7.87			
BC-1000	2	.50H 12.70	1000-500	1.87	1.50	2.87	.75	.66	.31			
			500-240	47.50	38.10	72.70	19.05	1.76	7.87			

*This dimension can be altered per customer requirements.

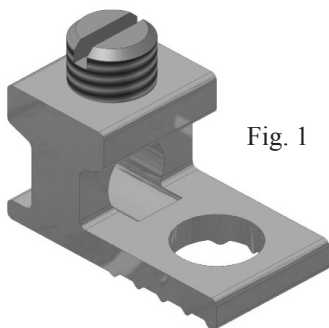


Fig. 1

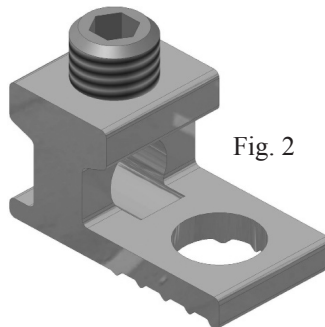
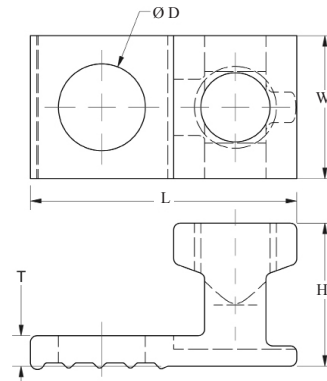
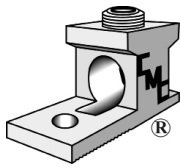


Fig. 2





Copper Solderless Lugs



PosiGrip
90° C Rating (486B Listed)

TYPE: 2BC

- The unique ridges formed on the bottom of the contact surface are designed to provide contact points for an electrically secure joint of the lowest resistance for current flow.
- The screws used to clamp the conductors are designed to extend beyond the barrel sides of the connector to allow a better, more secure compression of the conductor. This design spreads the conductor strands to help dissipate heat, and improve its pull-out safety features and capabilities.
- The design of the wire way provides optimum transfer of current, creating a straight line flow through the connector for the least possible path of electrical resistance. A positive wire stop is also provided.

COPPER SOLDERLESS CONNECTORS
For use with copper conductors ONLY

U.S. Patent 4,946,405
U.S. Patent 309,129
U.S. Patent 5,030,131

Catalog Number	Fig. No.	Screw Type	Cond. Size AWG <i>mm²</i>	H	W	L	G	D*	T			
				Dimensions, inches						Dimensions, millimeters		
2BC-112	1	Slot -	6-14	.66	1.12	1.12	.28	.27	.16			
			16-1.5	16.76	28.45	28.45	7.11	6.86	4.06			
2BC-125	1	19H	2/0-14	.78	1.25	1.25	.31	.27	.19			
		4.83	50-1.5	19.81	31.75	31.75	7.87	6.86	4.83			
2BC-250	2	.31H	250-6	.97	1.62	1.71	.44	.40	.19			
		7.87	120-16	24.64	41.15	43.43	11.18	10.16	4.83			
2BC-350	2	.31H	350-6	1.12	1.92	2.00	.50	.56	.19			
		7.87	185-16	28.45	48.77	50.80	12.70	14.22	4.83			
2BC-500	2	.31H	500-4	1.38	2.41	2.37	.56	.56	.26			
		7.87	240-16	35.05	61.21	60.20	14.22	14.22	6.60			
2BC-600	2	.31H	600-2	1.50	2.41	2.50	.63	.56	.26			
		7.87	300-25	38.10	61.21	63.50	16.00	14.22	6.60			
2BC-750	2	.31H	750-300	1.68	3.25	2.75	.75	.66	.31			
		7.87	300-150	42.67	82.55	69.85	19.05	16.76	7.87			
2BC-1000	2	.50H	1000-500	1.87	3.50	2.87	.75	.66	.31			
		12.70	500-300	47.50	88.90	72.90	19.05	16.76	7.87			

*This dimension can be altered per customer requirements.

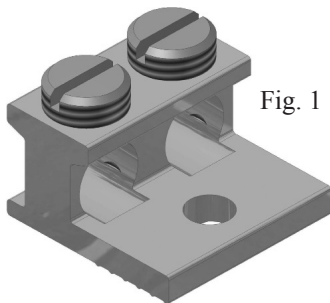


Fig. 1

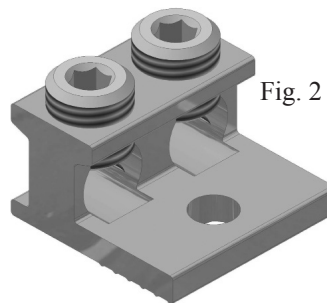
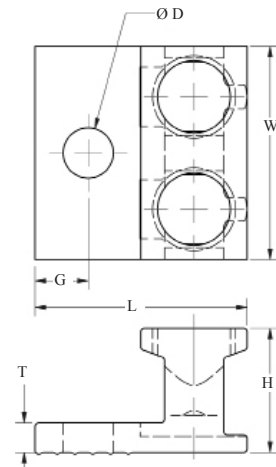
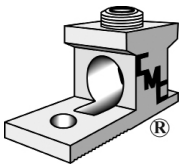


Fig. 2





Copper Solderless Connectors and Collars

TYPE: FT



90° C Rating (486B Listed)

CMC® Single hole solderless lugs are manufactured from high strength pure electrolytic copper to insure both maximum strength and conductivity. Designed for flat mounting with seamless tube collar securely staked to flat copper tang. Easy to install with screwdriver, wrench or pliers and reusable. Plain copper finish.

COPPER SOLDERLESS CONNECTORS For use with copper conductors ONLY

Catalog Number	Fig. No.	Cond. Range AWG mm ²	Mtg. Hole* mm	H	W	L
				Dimensions, inches		
				Dimensions, millimeters		
FT-65	1	6-14	.19	.75	.38	1.00
		16-1.5	4.83	19.05	9.65	25.40
FT-70	1	4-14	.19	.63	.50	1.25
		16-1.5	4.83	16.00	12.70	31.75
FT-90	1	1/0-14	.25	1.00	.63	1.27
		50-1.5	6.35	25.40	16.00	32.26

*This dimension can be altered per customer requirements.

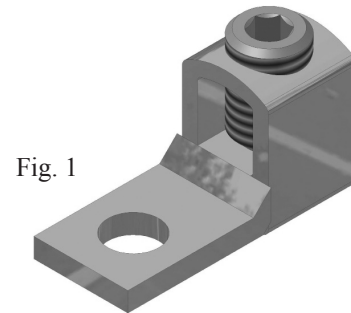
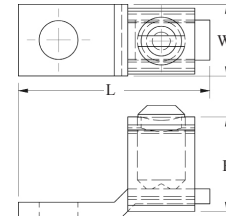


Fig. 1

TYPE: C / CS / SE



CMC® Copper collars are manufactured from high strength pure electrolytic copper to insure both maximum strength and conductivity. Easy to install with screwdriver, wrench or pliers and reusable. Plain copper finish.

Catalog Number	Fig. No.	Cond. Range AWG mm ²	Mtg. Hole* mm	H	W	L
				Dimensions, inches		
				Dimensions, millimeters		
C-54-S	2	6-14	.22S / 10-32	.47	.34	.38
		16-1.5	5.59	11.94	8.64	9.65
C-58-S	2	4-14	.25S / 10-32	.52	.45	.47
		16-1.5	6.35	13.21	11.43	11.94
C-68-S	2	1/0-14	.25S / 12-24	.61	.53	.63
		50-1.5	6.35	15.49	13.46	16.00

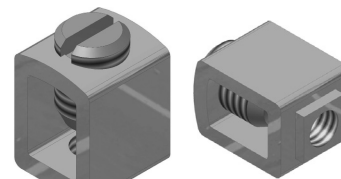
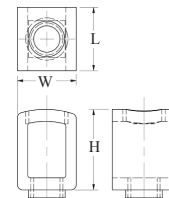


Fig. 2



CS-105	3	1/0-14		.88	.55	.63
		50-1.5		22.35	13.97	16.00
CS-175	3	4/0-2		1.09	.75	.88
		95-25		27.69	19.05	22.35
CS-200	3	250-6		.88	.81	1.00
		120-16		22.35	20.57	25.40

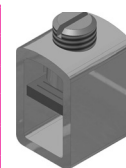
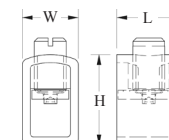
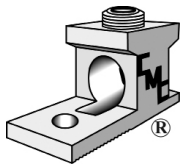


Fig. 3





Copper Splicers and Grounding Connectors



90° C Rating (486B Listed)

TYPE: C

CMC® Copper collars are manufactured from high strength pure electrolytic copper to insure both maximum strength and conductivity. Easy to install with screwdriver, wrench or pliers and reusable. Plain copper finish.

COPPER SOLDERLESS CONNECTORS For use with copper conductors ONLY

Catalog Number	Fig. No.	Cond. Range AWG mm ²	H	W	L
			Dimensions, inches		
			Dimensions, millimeters		
C2-25	1	8-12	.45	.25	.56
		10-2.5	11.43	6.35	14.22
C2-35	1	6	.69	.33	.88
		16	17.53	8.38	22.35
C2-50	1	4	.75	.38	.88
		16	29.05	9.65	22.35
C2-70	1	2	.91	.47	1.00
		25	23.11	11.94	25.40
C2-125	1	2/0-1/0	.81	.61	1.25
		50-50	20.57	15.49	31.75
C2-225	1	250	1.44	.77	2.31
		120	36.58	19.56	58.67

Catalog Number	Fig. No.	Cond. Range AWG mm ²	H	W	L
			Dimensions, inches		
			Dimensions, millimeters		
C4-25	2	8-12	.45	.25	1.63
		10-2.5	11.43	6.35	41.40
C4-35	2	6	.69	.33	1.75
		16	17.53	8.38	44.45
C4-50	2	4	.75	.38	1.75
		16	19.05	9.65	44.45
C4-70	2	2	.91	.47	2.00
		25	23.11	11.94	50.80
C4-125	2	2/0-1/0	.81	.61	2.50
		50-50	20.57	15.94	63.50
C4-225	2	250	1.44	.77	4.63
		120	36.58	19.56	117.60

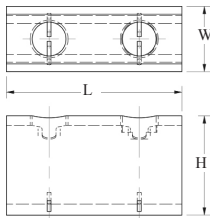


Fig. 1

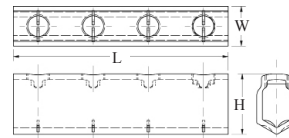
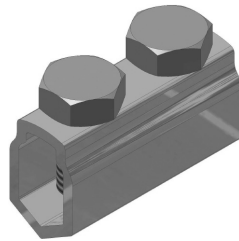
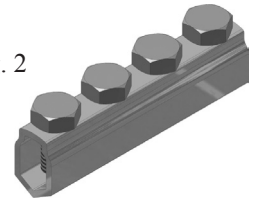


Fig. 2



TYPE: CL



90° C Rating (486B Listed)

CMC® CL ground connectors are manufactured from high strength pure electrolytic copper to insure both maximum strength and conductivity. Plain finished. Designed for use on conduit grounding bushings. Open faced design allows installer to quickly lay-in the grounding conductor as a jumper to multiple conduits with no break in ground conductor.

COPPER SOLDERLESS CONNECTORS For use with copper conductors ONLY

Catalog Number	Fig. No.	Cond. Range AWG mm ²	Stud Size* mm	H	W	L
				Dimensions, inches		
				Dimensions, millimeters		
CL-50S	3	4-14	.22	.78	.38	1.07
		16-1.5	5.59	19.81	9.65	27.18
CL-112S	3	1/0-14	.27	1.17	.60	1.50
		50-1.5	6.86	29.72	15.24	38.10
CL-200S	4	3/0-6	.33	1.56	.80	2.00
		70-16	8.38	39.62	20.32	50.80
CL-252S	4	250-6	.33	1.79	.80	2.20
		120-16	8.38	45.47	20.32	55.88

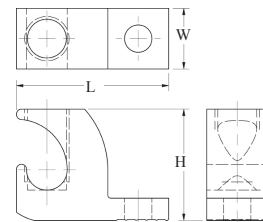


Fig. 3

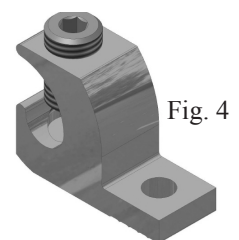
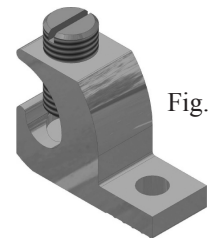
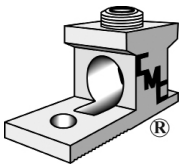


Fig. 4

*This dimension can be altered per customer requirements.

*UL approved for direct burial.



Copper Neutral Connectors

TYPE: N / LCB



CMC® Copper neutral connectors are manufactured from high strength pure electrolytic copper to insure both maximum strength and conductivity. Easy to install with screwdriver, wrench or pliers and reusable. Plain copper finish.

COPPER NEUTRAL CONNECTORS
For use with copper conductors ONLY

Catalog Number	Fig. No.	No. of Taps	Wire Range		Mtg. Holes <i>mm</i>	H	W	L
			Line <i>mm</i>	Circuit <i>mm</i>		Dimensions, inches		
						Dimensions, millimeters		
N70-8-1	1	6	4-14	6-14	.20 (2)	.23	.34	3.56
			16-1.5	16-1.5	5.08 (2)	5.84	8.64	90.42
N70-10-1	1	8	4-14	6-14	.20 (2)	.47	.34	4.37
			16-1.5	16-1.5	5.08 (2)	11.94	8.64	111.00
N70-12-1	1	10	4-14	6-14	.20 (2)	.75	.34	5.15
			16-1.5	16-1.5	5.08 (2)	19.05	8.64	130.81
N70-14-1	1	12	4-14	6-14	.20 (2)	.75	.34	5.94
			16-1.5	16-1.5	5.08 (2)	19.05	8.64	150.88
N70-16-1	1	14	4-14	6-14	.20 (2)	.75	.34	6.75
			16-1.5	16-1.5	5.08 (2)	19.05	8.64	171.45
N70-174	1	174		6-14	None	.47	.34	69.00
				16-1.5		11.94	8.64	1752.60

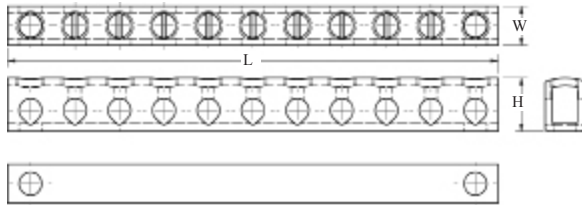
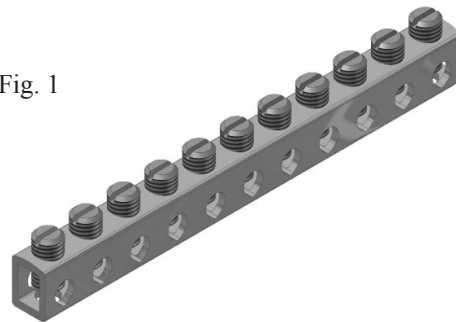


Fig. 1



Catalog Number	Fig. No.	Cond. Range <i>mm²</i>	H	L
			Dimensions, inches	
			Dimensions, millimeters	
*LCB-1/0	2	1/0-14 / 6-14	.63	.38
		50-1.5 / 16-1.5	16.00	9.65
*LCB-2/0	2	2/0-14 / 6-14	.69	.38
		50-1.5 / 16-1.5	17.45	9.65

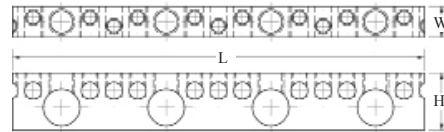
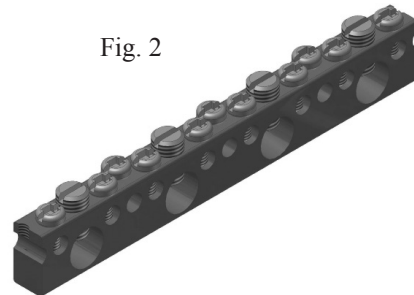
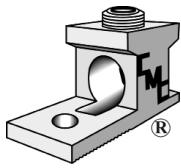


Fig. 2



*This bar is also approved as an equipment ground.

The number of outlets, outlet spacing and mounting hole locations can be established according to individual requirements.



Tightening Torque Values

Tightening Torque Values for Mechanical Screw Connectors

AWG. or Circular Mill Size	Tightening Torque in Inch Pounds	
	Screw Driver	External Drive Wrench
14	35	75
7/12	35	75
10	35	75
8	40	75
6	45	110
4	45	110
2	50	150
1	50	150
1/0	50	180
2/0	50	180
3/0		250
4/0		250
250		325
350		325
500		375
600		375
700		375
750		375
800		500
1000		500

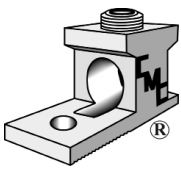
Tightening Torque Values for Socket head Screw Connectors

Internal Socket Size Across Flat Inches	Tightening Torque in Inch Pounds
1/8	45
5/32	100
3/16	120
7/32	150
1/4	200
5/16	275
3/8	375
1/2	500
9/16	600

Additional Torque Information

Table shows the recommended Tightening torques for silicon bronze, stainless steel, galvanized steel and aluminum alloy hardware.

Bolt Diameter	Nominal Torque Values			
	Silicon Bronze, Galvanized or Stainless Steel		Aluminum Alloy (lubricated)	
	Ft. - Lbs.	Inch-Lbs.	Ft. - Lbs.	Inch - Lbs.
5/16-18	15	180	-	-
3/8-16	20	240	14	168
1/2-13	40	480	25	300
5/8-11	55	660	40	480
3/4-10	80	960	70	840

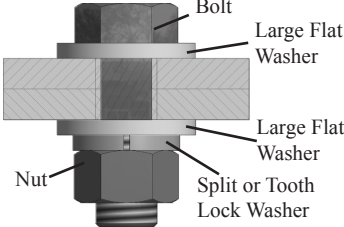
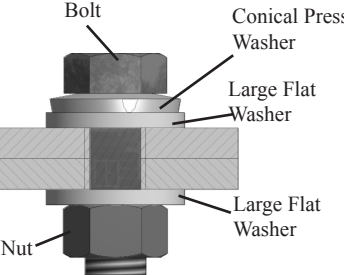


Additional Torque Information

For optimum efficiency, it is necessary that the correct bolt, nut and washer combination be used with the correct combination of conductor materials. This table shows acceptable methods of joining different combination of bus bar. Where different combinations of metals are being joined, a follow-up device such as a conical pressure washer is usually recommended if one, or both, bus materials are soft drawn aluminum. If both bars are hard drawn, large flat washers will suffice regardless of the bolt materials.

Other considerations which should be taken into account when selecting hardware are corrosion and vibration. For example, if severe corrosion is anticipated, non-corrosive materials such as stainless steel or silicon bronze, should be selected in preference to galvanized steel. If vibration is anticipated, the use of locking washers should be considered.

A B Methods of Joining Bus Bars

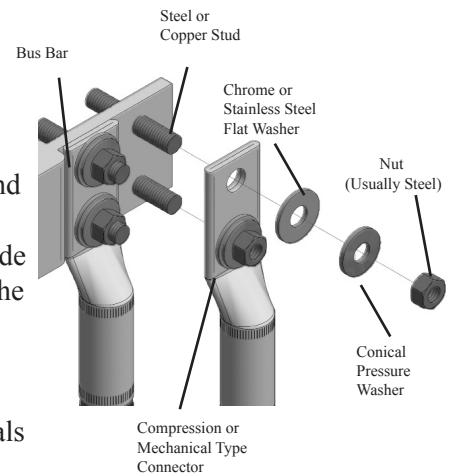
If "A" Bar is	Copper	Aluminum	Steel	Aluminum	Steel
If "B" Bar is	Copper	Copper	Copper	Aluminum	Aluminum
Hand drawn bus such as Al Alloy 	(1) Silicon Bronze (2) Stainless Steel	(1) Silicon Bronze (2) Aluminum (3) Stainless Steel	(1) Aluminum (2) Stainless Steel	(1) Aluminum (2) Stainless Steel (3) Silicon Bronze, Plated	(1) Aluminum (2) Stainless Steel
Soft drawn bus such as EC-H13 AL 	(1) Silicon Bronze (2) Stainless Steel	(1) Silicon Bronze (2) Aluminum (3) Stainless Steel (4) Conical Pressure Washer Plated or Stainless Steel	(1) Silicon Bronze (2) Stainless Steel	(1) Aluminum (2) Stainless Steel (3) Silicon Bronze Plated (4) Conical Pressure Washer Plated or Stainless Steel	(1) Aluminum (2) Stainless Steel (3) Silicon Bronze Plated (4) Conical Pressure Washer Plated or Stainless Steel

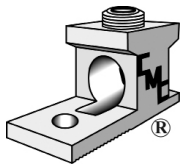
(1) Denotes preferred hardware usage. *Note: Contact sealant recommended between aluminum to aluminum and aluminum to copper connections unless other protective measures are taken.*

Bar Connections:

The Tang of a compression or mechanical connector is a bus bar, which connects to another bus bar. If you remember the rule about wire brushing and using joint compound with bare (unplated) aluminum, you cannot go wrong. Plated parts should be cleaned with a solvent if they are dirty, but never abrade or otherwise disturb the plating! Figure shows a typical bar connection and the type of hardware used.

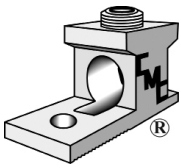
Contact surface must be clean. Use a joint compound with bare aluminum. Conical pressure washer is usually recommended if one, or both, bus materials are soft drawn aluminum.





Wire Ranges

Size AWG-MCM	No. of Wires	Dia. Each Wire Inches	Dia. Inches	Clearance Drill	Present Clearance Between Conductor Dia. & Hole Dia.	Proposed or Suggested Drill Sizes for Wire Holes	Clearance Between Conductor & Proposed Drill Sizes
18	Solid	0.0403	0.0403	0.0469			
18	7	0.0403		0.0469			
16	Solid	0.0508	0.0508	0.0625			
16	7	0.0508		0.0625			
14	Solid	0.0641	0.0641	0.078			
14	7	0.0641		0.078			
12	Solid	0.0808	0.0808	0.098			
12	7	0.0808		0.098			
10	Solid	0.1019	0.1019	0.120			
10	7	0.1019		0.120			
8	Solid	0.1285	0.1285	0.156			
8	7	0.1285		0.156			
6	7	0.0612	0.184	0.219	0.035		
4	7	0.0772	0.232	0.250	0.018	0.265	0.033
3	7	0.0867	0.260	0.281	0.021	0.296	0.036
2	7	0.0974	0.292	0.312	0.020	0.328	0.036
1	19	0.0664	0.332	0.368	0.036		
0	19	0.0745	0.372	0.406	0.034		
00	19	0.0837	0.418	0.437	0.019	0.453	0.035
000	19	0.0940	0.470	0.500	0.030		
0000	19	0.1055	0.528	0.562	0.034		
250	37	0.0822	0.575	0.609	0.034	0.625	0.050
300	37	0.0900	0.630	0.656	0.026	0.687	0.057
350	37	0.0973	0.681	0.719	0.038	0.734	0.053
400	37	0.1040	0.728	0.781	0.053		
500	37	0.1162	0.813	0.875	0.062		
600	61	0.0992	0.893	0.938	0.045	0.953	0.060
700	61	0.1071	0.964	0.984	0.020	1.035	0.069
750	61	0.1109	0.998	1.035	0.037	1.062	0.064
800	61	0.1145	1.030	1.094	0.064		
900	61	0.1215	1.090	1.140	0.050	1.152	0.062
1000	61	0.1280	1.150	1.219	0.069	1.234	0.084
1250	91	0.1172	1.289	1.390	0.101	1.375	0.086
1500	91	0.1284	1.410	1.500	0.090		
1750	127	0.1174	1.526	1.593	0.067	1.625	0.099
2000	127	0.1255	1.630	1.697	0.057	1.734	0.104



Decimal Equivalents

Drill	Equivalent	Drill	Equivalent	Drill	Equivalent	Drill	Equivalent	Drill	Equivalent
1/16	.0625	53/64	.8281	1 19/32	1.59737	2 3/64	2.3593	3 1/4	3.2500
5/64	.07812	27/32	.8437	1 39/64	1.6093	2 3/8	2.3750	3 9/32	3.2812
3/32	.09375	55/64	.8593	1 5/8	1.6250	2 25/64	2.3906	3 5/16	3.3125
7/64	.10937	7/8	.8750	1 41/64	1.6406	2 13/32	2.4062	3 11/32	3.3437
1/8	.125	57/64	.8906	1 21/32	1.6562	2 27/64	2.4218	3 3/8	3.3750
9/64	.14062	29/32	.9062	1 43/64	1.6718	2 7/16	2.4375	3 13/32	3.4062
5/32	.15625	59/64	.9218	1 11/16	1.6875	2 29/64	2.4531	3 7/16	3.4375
11/64	.17187	15/16	.9375	1 45/64	1.7031	2 15/32	2.4687	3 15/32	3.4687
3/16	.1875	61/64	.9531	1 23/32	1.7187	2 31/64	2.4843	3 1/2	3.5000
13/64	.20312	31/32	.9687	1 47/64	1.7343	2 1/2	2.5000	3 17/32	3.5312
7/32	.21875	63/64	.9843	1 3/4	1.7500	2 33/64	2.5156	3 9/16	3.5625
15/64	.23437	1	1.0000	1 49/64	1.7656	2 17/32	2.5312	3 19/32	3.5937
1/4	.25	1 1/64	1.0156	1 25/32	1.7812	2 35/64	2.5468	3 5/8	3.6250
17/64	.26562	1 1/32	1.0312	1 51/64	1.7968	2 9/16	2.5625	3 21/32	3.6562
9/32	.28125	1 3/64	1.0468	1 13/16	1.8125	2 37/64	2.5781	3 11/16	3.6875
19/64	.29687	1 1/16	1.0625	1 53/64	1.8281	2 19/32	2.5937	3 23/32	3.7187
5/16	.3125	1 5/64	1.0781	1 27/32	1.8437	2 39/64	2.6093	3 3/4	3.7500
21/64	.32812	1 3/32	1.0937	1 55/64	1.8593	2 5/8	2.6250	3 25/32	3.7812
11/32	.34375	1 7/64	1.1093	1 7/8	1.8750	2 41/64	2.6406	3 13/16	3.8125
23/64	.35937	1 1/8	1.1250	1 57/64	1.8906	2 21/32	2.6562	3 27/32	3.8437
3/8	.375	1 9/64	1.1406	1 29/32	1.9062	2 43/64	2.6718	3 7/8	3.8750
25/64	.39062	1 5/32	1.1562	1 59/64	1.9218	2 11/16	2.6875	3 29/32	3.9062
13/32	.40625	1 11/64	1.1718	1 15/16	1.9375	2 45/64	2.7031	3 15/16	3.9375
27/64	.42187	1 3/16	1.1875	1 61/64	1.9531	2 23/32	2.7187	3 31/32	3.9687
7/16	.4375	1 3/64	1.2031	1 31/32	1.9687	2 47/64	2.7343	4	4.0000
29/64	.45312	1 7/32	1.2187	1 63/64	1.9843	2 3/4	2.7500	4 4/16	4.0625
15/32	.46875	1 5/64	1.2343	2	2.0000	2 49/64	2.7656	4 1/8	4.1250
31/64	.48437	1 1/4	1.2500	2 1/64	2.0156	2 25/32	2.7812	4 3/16	4.1875
1/2	.50	1 17/64	1.2656	2 1/32	2.0312	2 51/64	2.7968	4 1/4	4.2500
33/64	.5156	1 9/32	1.2812	2 3/64	1.0468	2 13/16	2.8125	4 15/16	4.3125
17/32	.5312	1 19/64	1.2968	2 1/16	2.0625	2 53/64	2.8281	4 3/8	4.3750
35/64	.5468	1 5/16	1.3125	2 5/64	2.0781	2 27/32	2.8437	4 7/16	4.4375
9/16	.5625	1 21/64	1.3281	2 3/32	2.0937	2 55/64	2.8593	4 1/2	4.5000
37/64	.5781	1 11/32	1.3437	2 7/64	2.1093	2 7/8	2.8750	4 9/16	4.5625
19/32	.5937	1 23/64	1.3593	2 1/8	2.1250	2 57/64	2.8906	5 5/8	4.6250
39/64	.6093	1 3/8	1.3750	2 9/64	2.1406	2 29/32	2.9062	4 11/16	4.6875
5/8	.6250	1 25/64	1.3906	2 5/32	2.1562	2 59/64	2.9218	4 3/4	4.7500
41/64	.6406	1 13/32	1.4062	2 11/64	2.1718	2 15/16	2.9375	4 13/16	4.8125
21/32	.6562	1 27/64	1.4218	2 3/16	2.1875	2 61/64	2.9531	4 7/8	4.8750
43/64	.6718	1 7/16	1.4375	2 13/64	2.2031	2 31/32	2.9687	4 15/16	4.9375
11/16	.6975	1 29/64	1.4531	2 7/32	2.2187	2 63/64	2.9843	5	5.0000
45/64	.7031	1 15/32	1.4687	2 15/64	2.2343	3	3.0000	5 1/8	5.1250
23/32	.7187	1 31/64	1.4843	2 1/4	2.2500	3 1/32	3.0312	5 1/4	5.2500
47/64	.7343	1 1/2	1.5000	2 17/64	2.2656	3 1/16	3.0625	5 3/8	5.3750
3/4	.7500	1 33/64	1.5156	2 9/32	2.2812	3 3/32	3.0937	5 1/2	5.5000
49/64	.7656	1 17/32	1.5312	2 19/64	2.2968	3 1/8	3.1250	5 5/8	5.6250
25/32	.7812	1 35/64	1.5468	2 5/16	2.3125	3 5/32	3.1562	5 3/4	5.7500
51/64	.7968	1 9/16	1.5625	2 21/64	2.3281	3 3/16	3.1875	5 7/8	5.8750
13/16	.8125	1 37/64	1.5781	2 11/32	2.3437	3 7/32	3.2187	6	6.0000